



## **SERIES S30**

**S30** is the brand new profile of the **SESAMO** range, ideal for installation of sliding doors for all types of use and conditions.

Designed to ensure the best performance in terms of robustness, lightness and versatility, the **S30** series is a perfect complement for the installation of an automatic entrance.

The profiles are easy to work and assemble thanks to the small number of components, it can be used with different types of glass, tempered, laminated or double glazing , maximum thickness 25mm.

#### *INDEX*

<b>Section A</b>	Item codes
<b>Section B</b>	Profile sections Scale 1:1
<b>Section C</b>	Horizontal sections Scale 1:1
<b>Section D</b>	Vertical sections Scale 1:1
<b>Section E</b>	Glazing Scale 1:1
<b>Section F</b>	Standard drawings
<b>Section G</b>	Assembling boards
<b>Section H</b>	Cutting boards



# Certificate

Standard **ISO 9001:2015**

Certificate No. 39 00 1130610

TÜV Rheinland Italia S.r.l. certifies:

Certificate Holder: **SESAMO S.r.l.**

Strada Gabannone 8/10  
15030 Terruggia AL  
Italy

Scope: Design, manufacture and service automatic entrance devices.

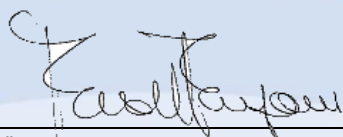
IAF sector: 19

Proof has been furnished by means of an audit that the requirements according to ISO 9001:2015 are fulfilled.

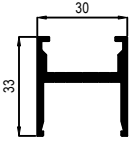
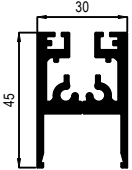
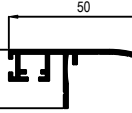
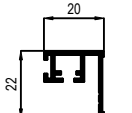
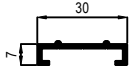
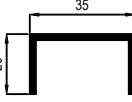
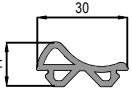
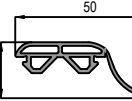
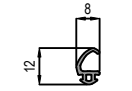
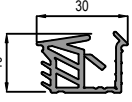
The due date for all future audits is 06-04

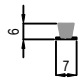
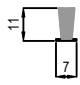
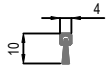
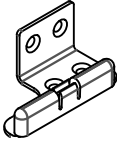
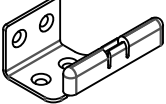
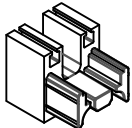
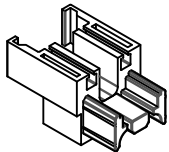
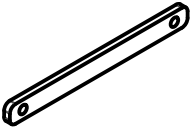
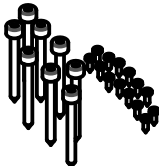
Validity: The certificate is valid from 2020-07-16 until 2023-07-15  
First certification 2006

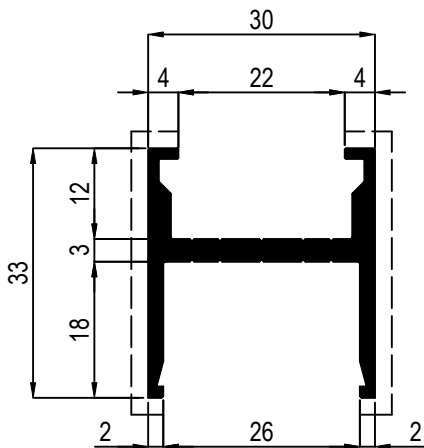
2020-07-19



TÜV Rheinland Italia S.r.l., Via E. Mattei, 3  
I - 20010 Pogliano Milanese (MI)

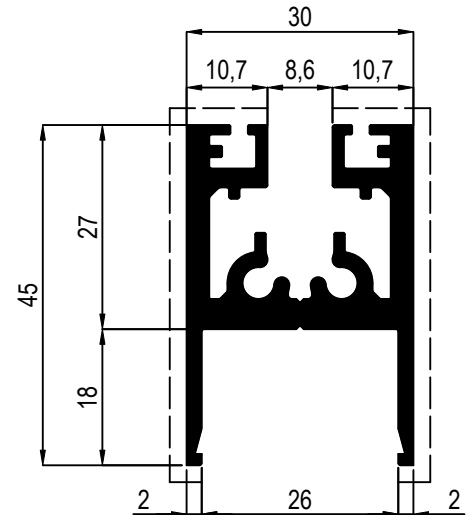
MOULD	SECTION	ITEM CODE		DESCRIPTION	WEIGHT	L BARS	PACK
PF32.1		PF32.10	RAW	UPRIGHT	0,597 Kg/m	5,1m	N.6 BARS
		PF32.11	ANODIZED				
		PF32.12	RAL				
PF32.2		PF32.20	RAW	CROSSPIECE	1,235 Kg/m	5,1m	N.3 BARS
		PF32.21	ANODIZED				
		PF32.22	RAL				
PF32.3		PF32.30	RAW	LABYRINTH	0,385 Kg/m	5,1m	N.10 BARS
		PF32.31	ANODIZED				
		PF32.32	RAL				
PF32.4		PF32.40	RAW	WALL FRAME	0,241 Kg/m	5,1m	N.14 BARS
		PF32.41	ANODIZED				
		PF32.42	RAL				
PF32.5		PF32.50	RAW	CROSSPIECE SUPPORT	0,193 Kg/m	5,1m	N.14 BARS
		PF32.51	ANODIZED				
		PF32.52	RAL				
PF32.6		PF32.60	RAW	"U" CHANNEL	0,383 Kg/m	6,5m	N.8 BARS
		PF32.61	ANODIZED				
		PF32.62	RAL				
-		PF32.81	EPDM BLACK	CENTRAL CLOSING GASKET	0,145 Kg/m	-	ROLL 30mt
-		PF32.82	EPDM BLACK	GASKET FOR LABYRINTH	0,193 Kg/m	5,1m	N.6 BARS
-		PF32.83	EPDM BLACK	COVER GASKET	0,039 Kg/m	-	ROLL 30mt
-		PF32.84	EPDM BLACK	"U" GASKET FOR LAMINATED GLAZING	0,212 Kg/m	-	ROLL 30mt
-		PF32.85	EPDM BLACK	"U" GASKET FOR DOUBLE GLAZING	0,114 Kg/m	-	ROLL 30mt

MOULD	SECTION	ITEM CODE	DESCRIPTION	WEIGHT	L BARS	PACK
-		PF32.86	BRUSH - H 6mm	-	-	ROLL 500m
-		PF32.87	BRUSH - H 11mm	-	-	ROLL 500m
-		PF32.88	HARD BRUSH - H 10mm	-	2,5m	N.50 BARS
-		PF32.89	RIGHT SLIDING GUIDE	-	-	PACK N.10 PIECES
-		PF32.90	LEFT SLIDING GUIDE	-	-	PACK N.10 PIECES
-		PF32.91	INTERNAL CORNER JOINT	-	-	PACK N.12 PIECES
-		PF32.92	EXTERNAL CORNER JOINT	-	-	PACK N.12 PIECES
-		PF32.93	KIT CARRIAGE FIXING	-	-	PACK N.10 PIECES
-		PF32.94	KIT ASSEMBLING SCREWS	-	-	PACK N.15 PIECES



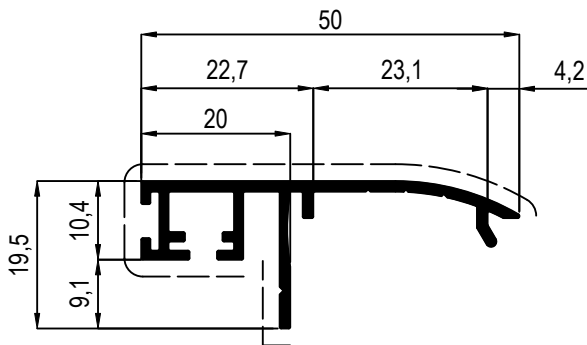
**PF32.1**

W: 0,597 Kg/m  
L: 5,1m  
Sup.: 78mm  
Perimeter: 356,72mm



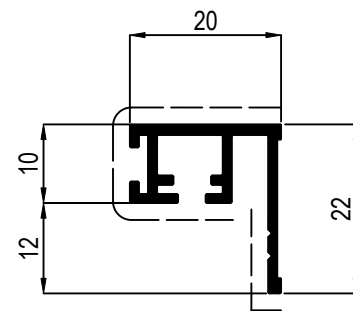
**PF32.2**

W: 1,235 Kg/m  
L: 5,1m  
Sup.: 116mm  
Perimeter: 197,47mm



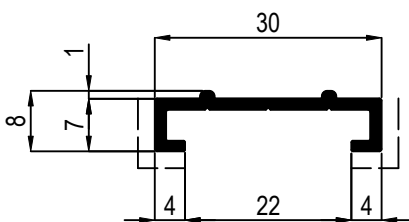
**PF32.3**

W: 0,385 Kg/m  
L: 5,1m  
Sup.: 84mm  
Perimeter: 219,32mm



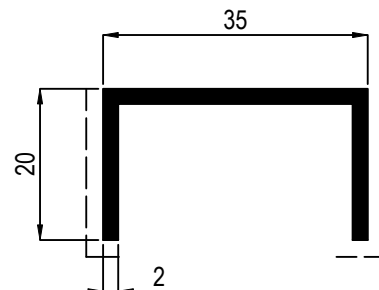
**PF32.4**

W: 0,241 Kg/m  
L: 5,1m  
Sup.: 69mm  
Perimeter: 148,20mm



**PF32.5**

W: 0,193 Kg/m  
L: 5,1m  
Sup.: 22mm  
Perimeter: 97,08mm



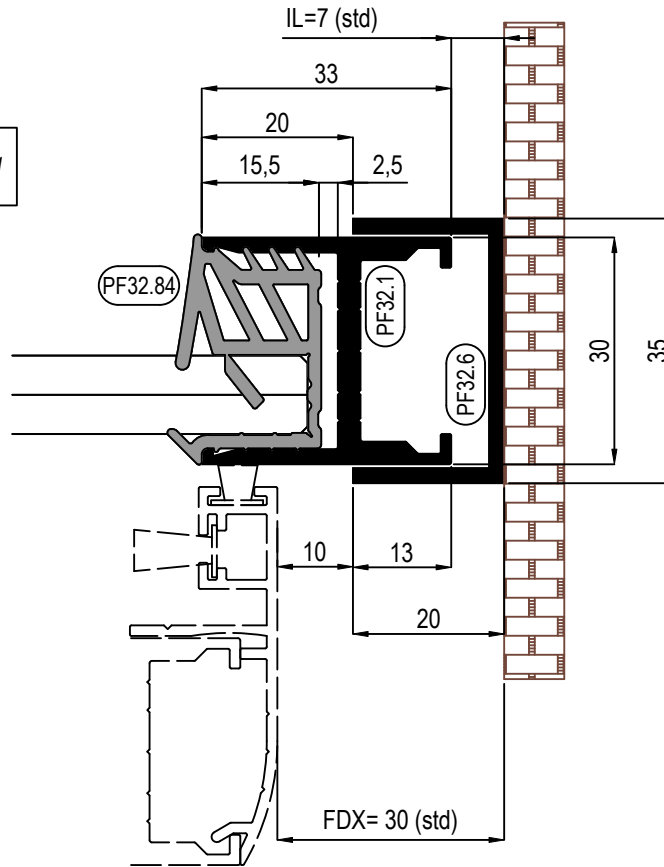
**PF32.6**

W: 0,383 Kg/m  
L: 6,5m  
Sup.: 44mm  
Perimeter: 146mm

**A** BACK DETAILS SCALE 1:1

FIX WING

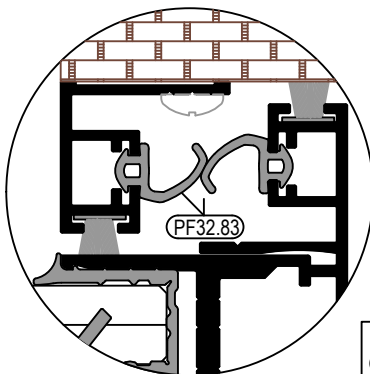
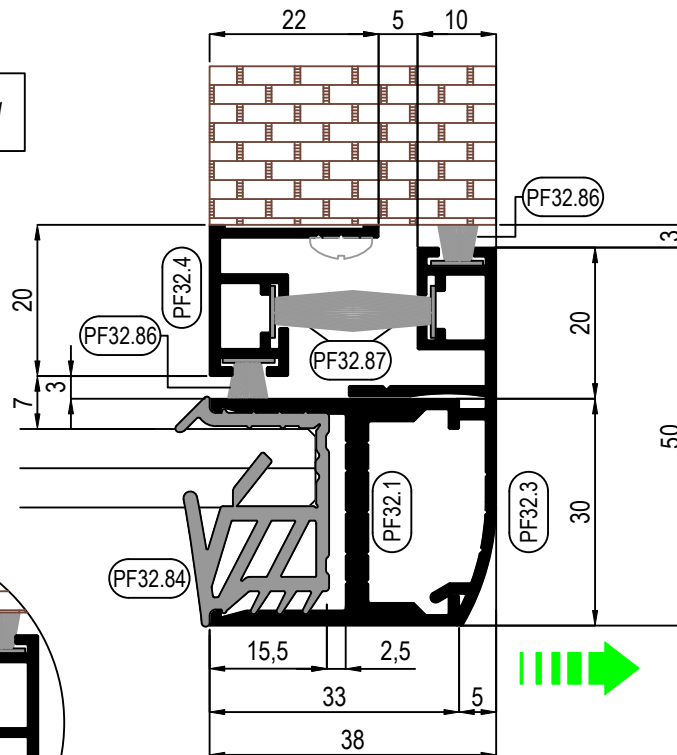
SECTION WITH LAMINATED GLAZING  
FURTHER DETAILS AVAILABLE IN  
GLAZING OPTIONS



**B** BACK DETAIL SCALA 1:1

SLIDING WING

SECTION LAMINATED GLAZING  
FURTHER DETAILS AVAILABLE IN  
GLAZING OPTIONS



OPTION WITH DOUBLE COVER GASKET

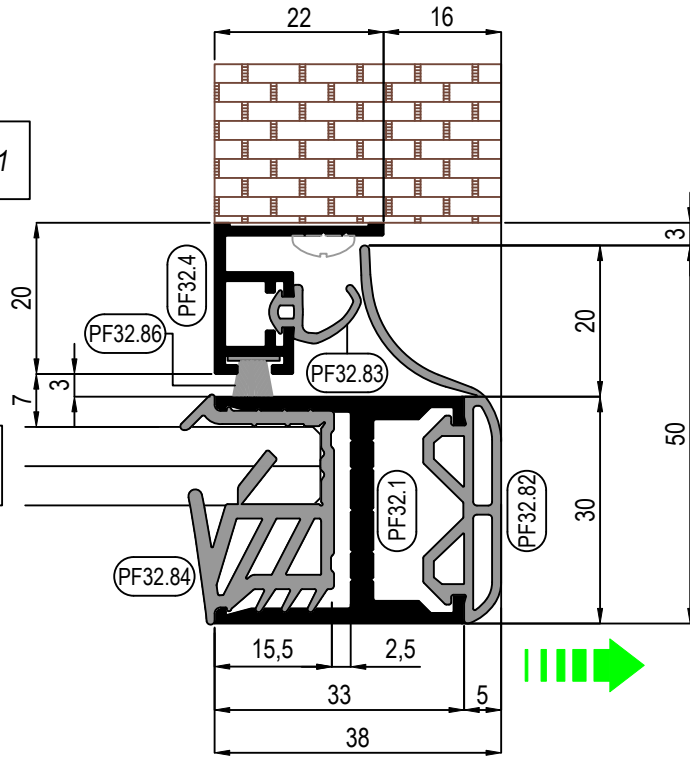


HORIZONTAL SECTION SCALE 1:1

**C** BACK DETAIL SCALE 1:1

SLIDING WING  
OPTIONAL SOLUTION

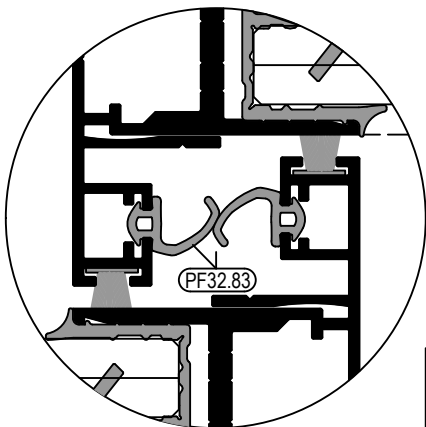
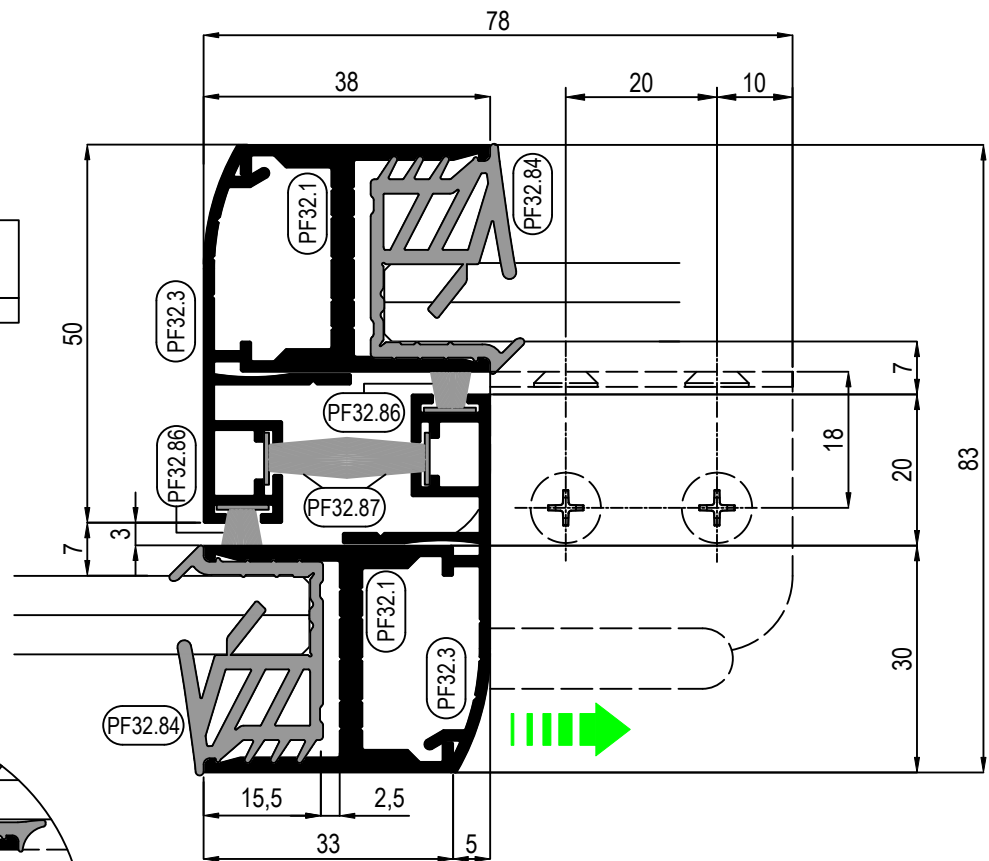
SECTION WITH LAMINATED GLAZING  
FURTHER DETAILS AVAILABLE IN  
GLAZING OPTIONS



**D** LABYRINT SCALE 1:1

FIX WING + SLIDING WING

SECTION WITH LAMINATED GLAZING  
FURTHER DETAILS AVAILABLE IN  
GLAZING OPTIONS

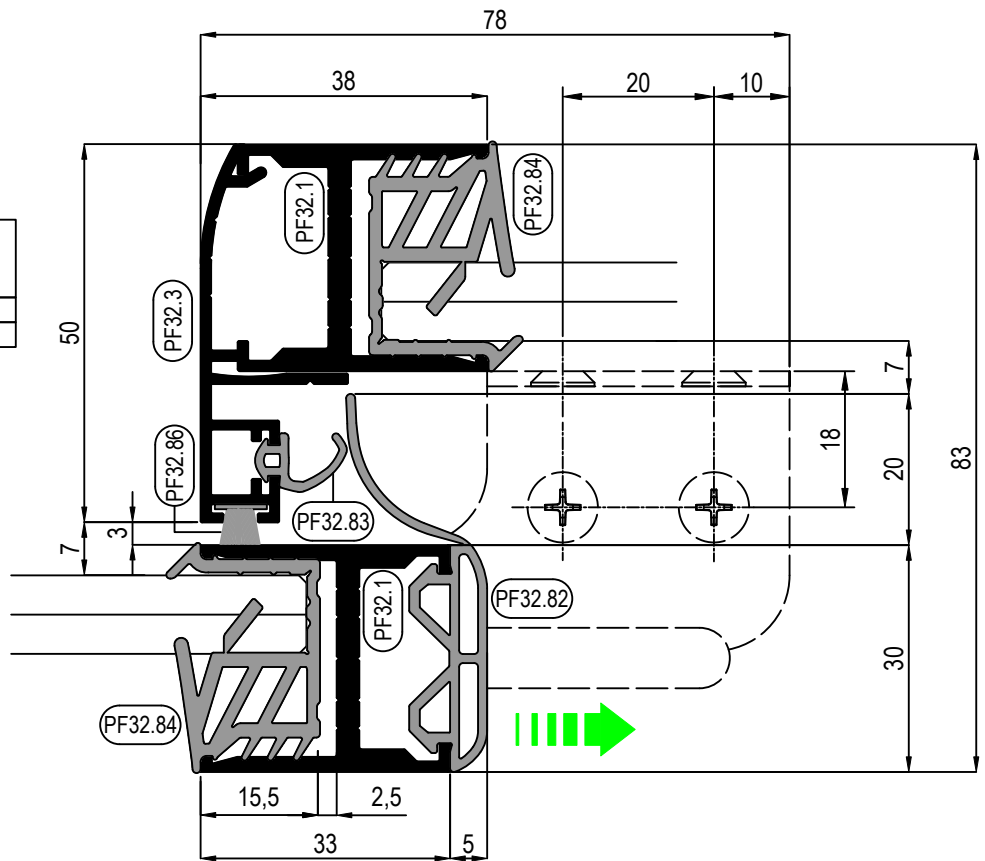


OPTION WITH DOUBLE COVER GASKET

**E** LABYRINT SCALE 1:1

FIX WING + SLIDING WING  
OPTIONAL SOLUTION

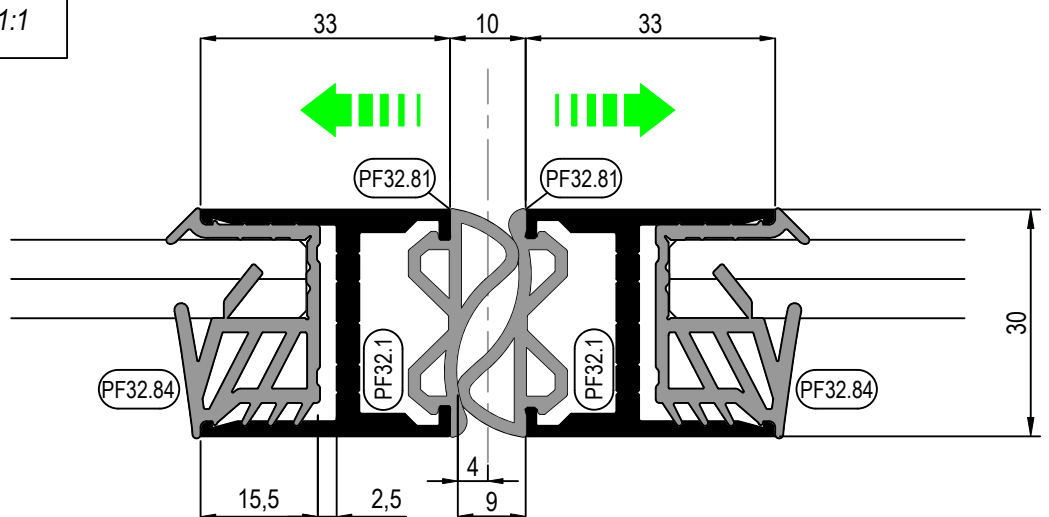
SECTION WITH LAMINATED GLAZING  
FURTHER DETAILS AVAILABLE IN  
GLAZING OPTIONS



**E** CENTRAL CLOSING SCALE 1:1

SLIDING WING

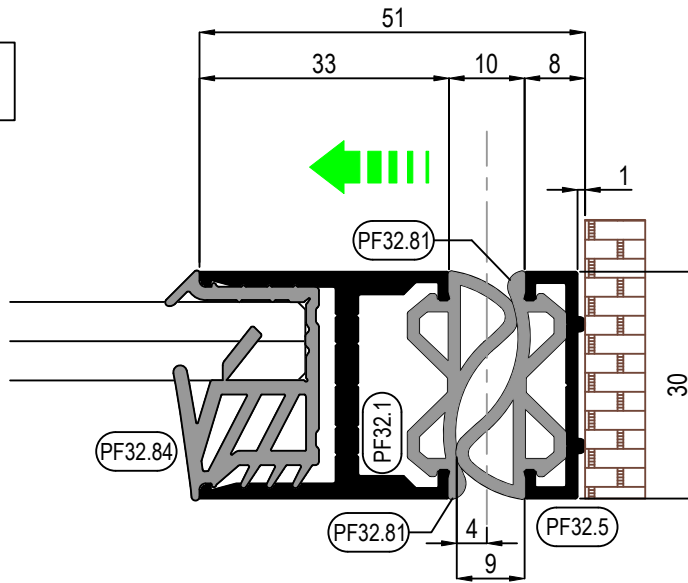
SECTION WITH LAMINATED GLAZING  
FURTHER DETAILS AVAILABLE IN  
GLAZING OPTIONS



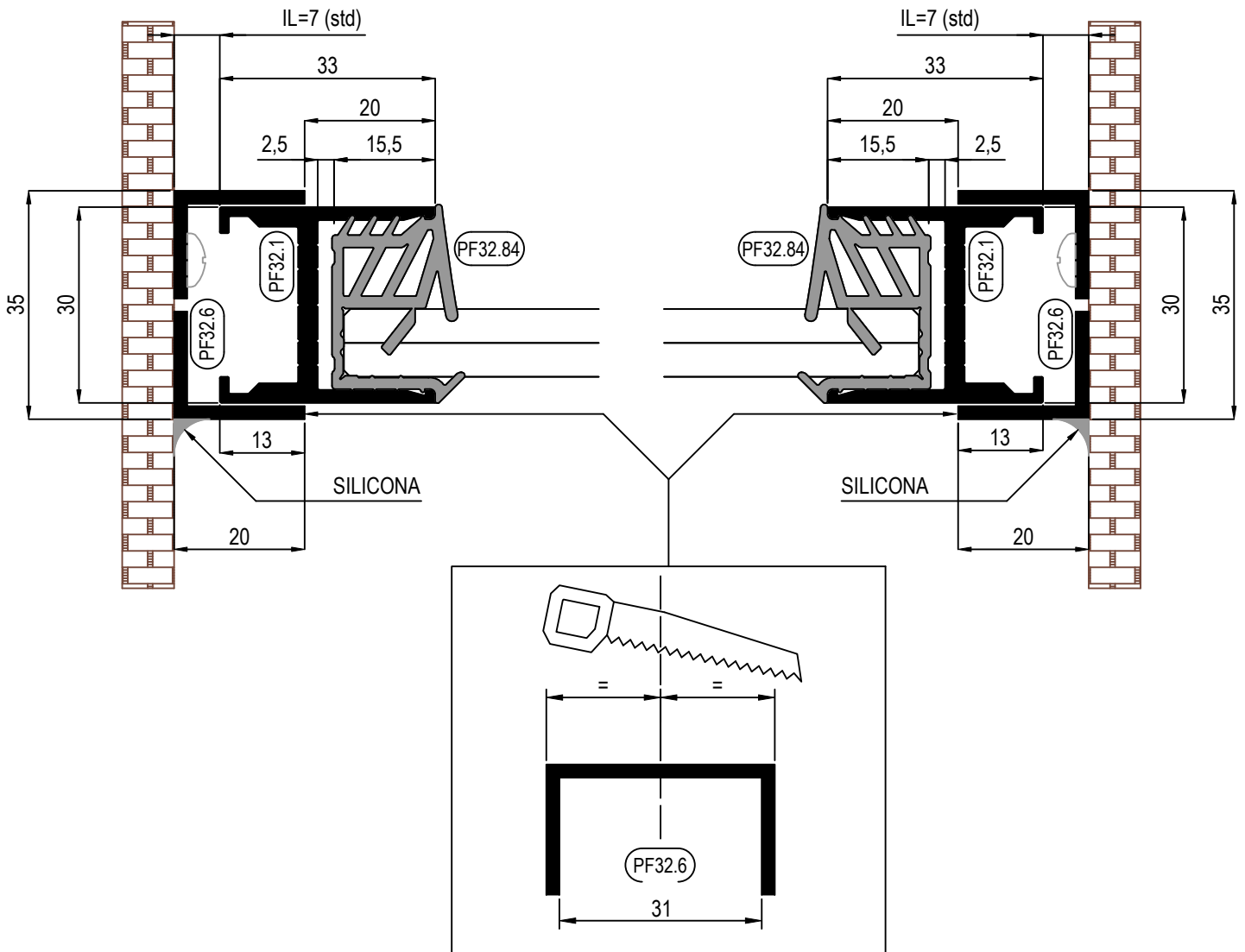


**F** CLOSING DETAILS  
SCALE 1:1  
SLIDING WING

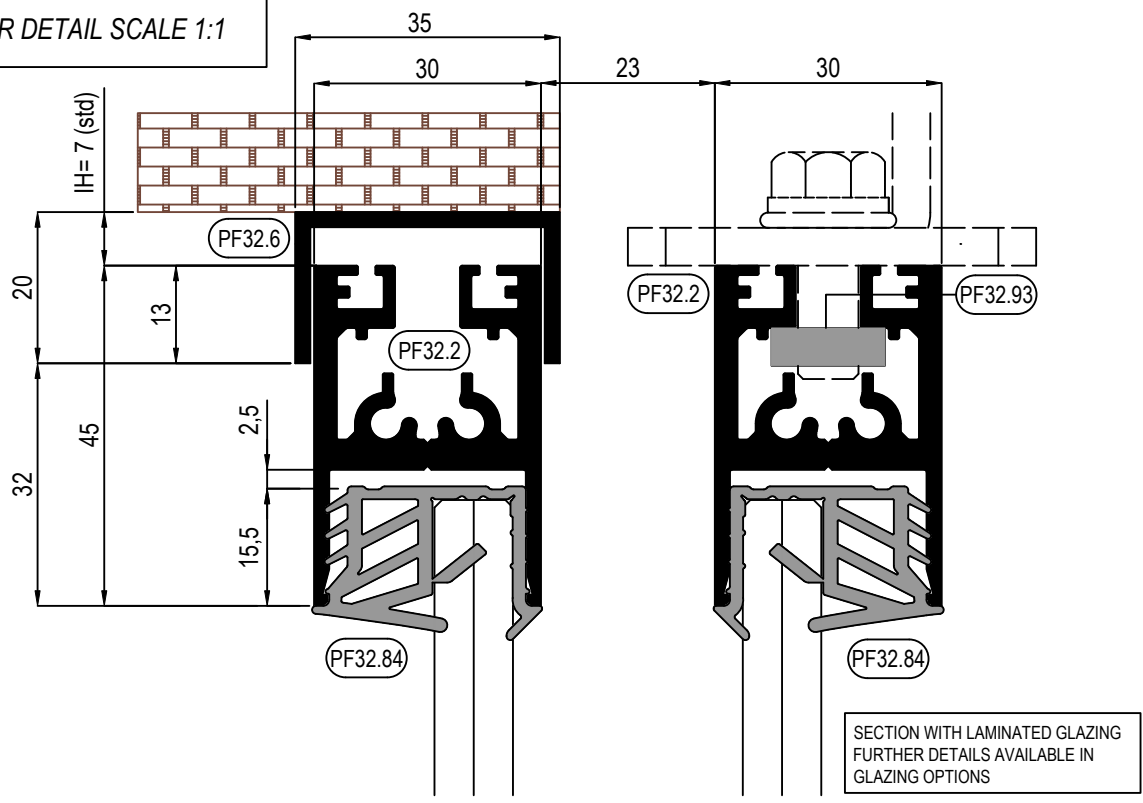
SSECTION WITH LAMINATED GLAZING  
FURTHER DETAILS AVAILABLE IN  
GLAZING OPTIONS



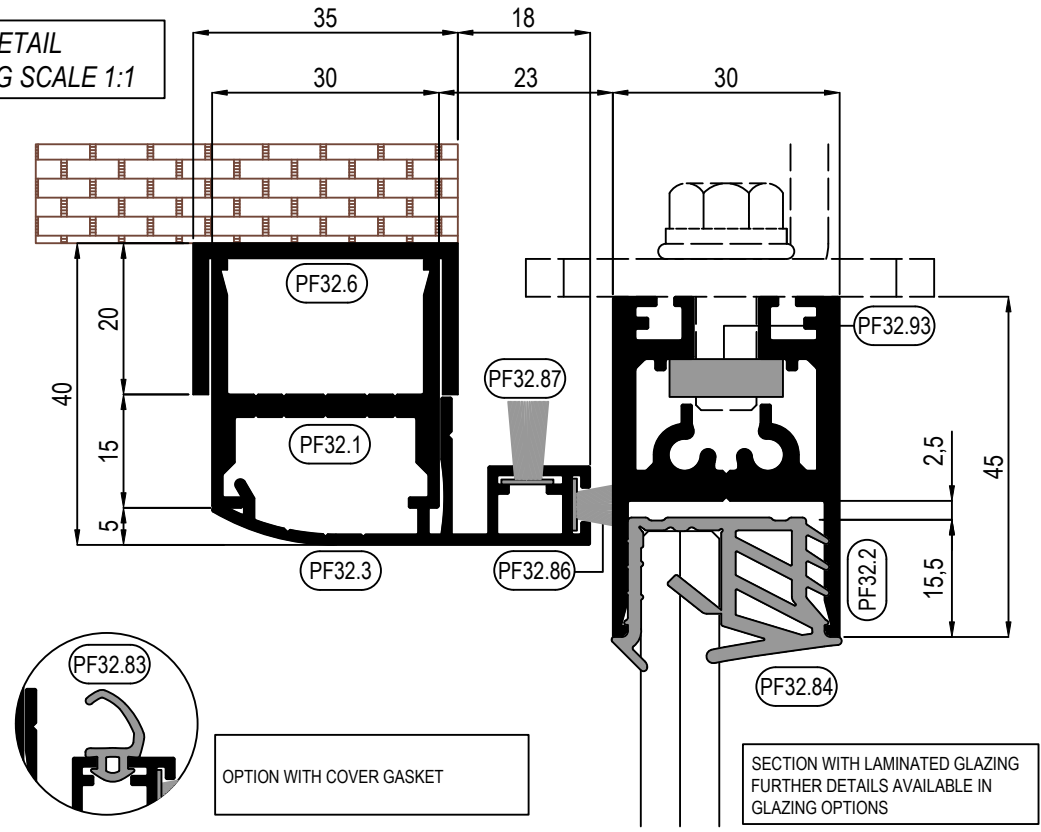
**G** OVER TRANSOM HORIZONTAL SECTION  
SCALE 1:1



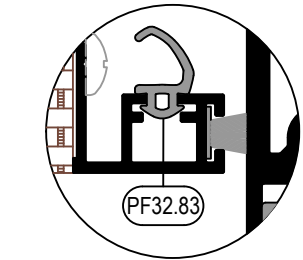
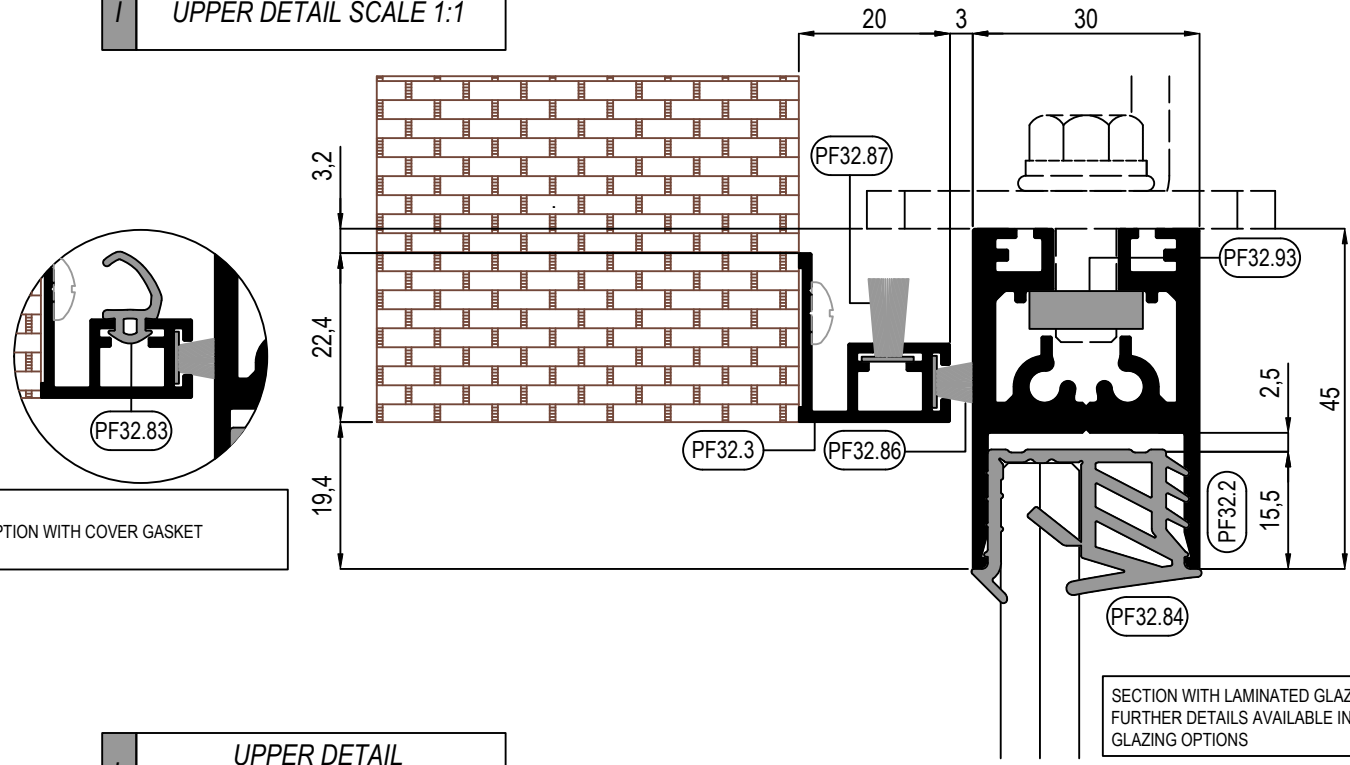
**G** UPPER DETAIL SCALE 1:1



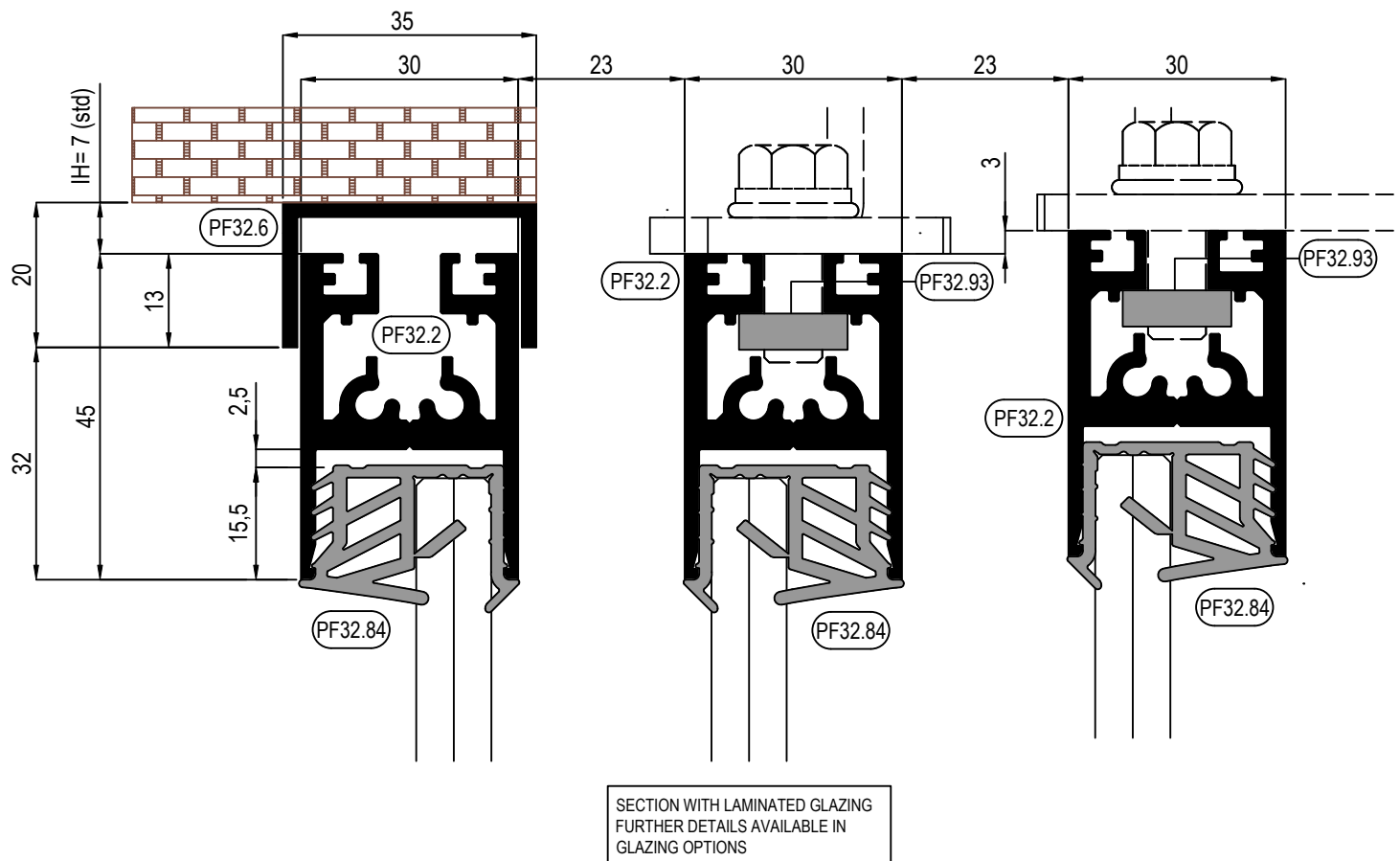
**H** UPPER DETAIL CLEAR OPENING SCALE 1:1



I UPPER DETAIL SCALE 1:1



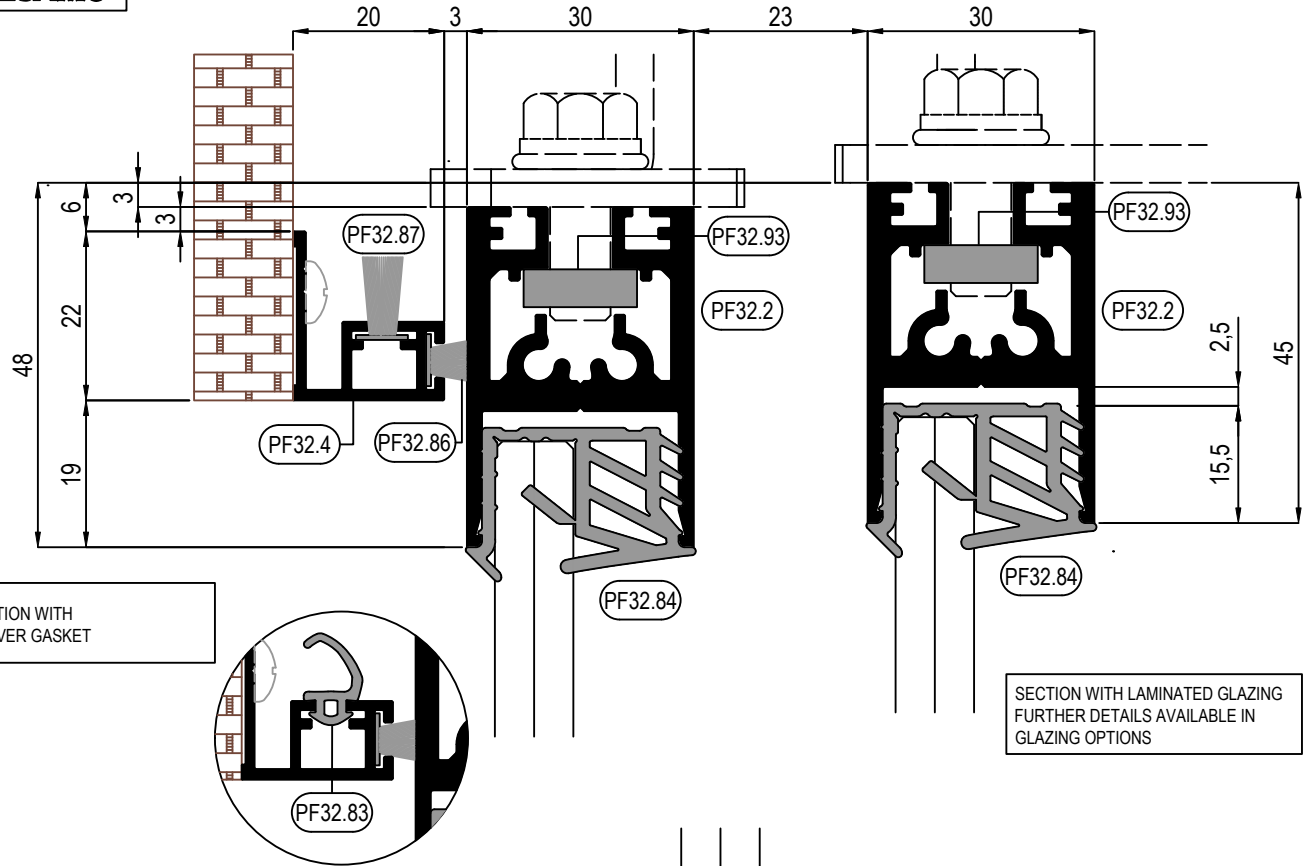
L UPPER DETAIL TELESCOPICA SCALE 1:1





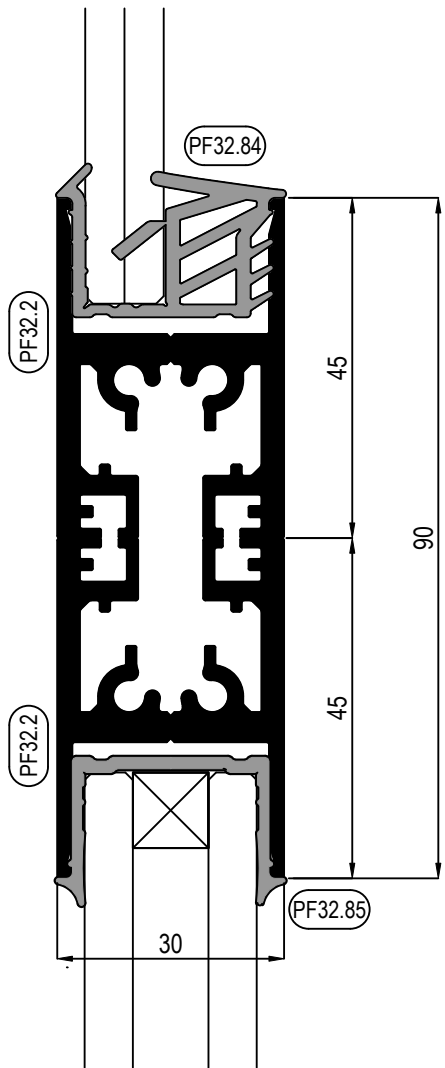
VERTICAL SECTION SCALE 1:1

M UPPER DETAIL TELESCOPICA SCALE 1:1

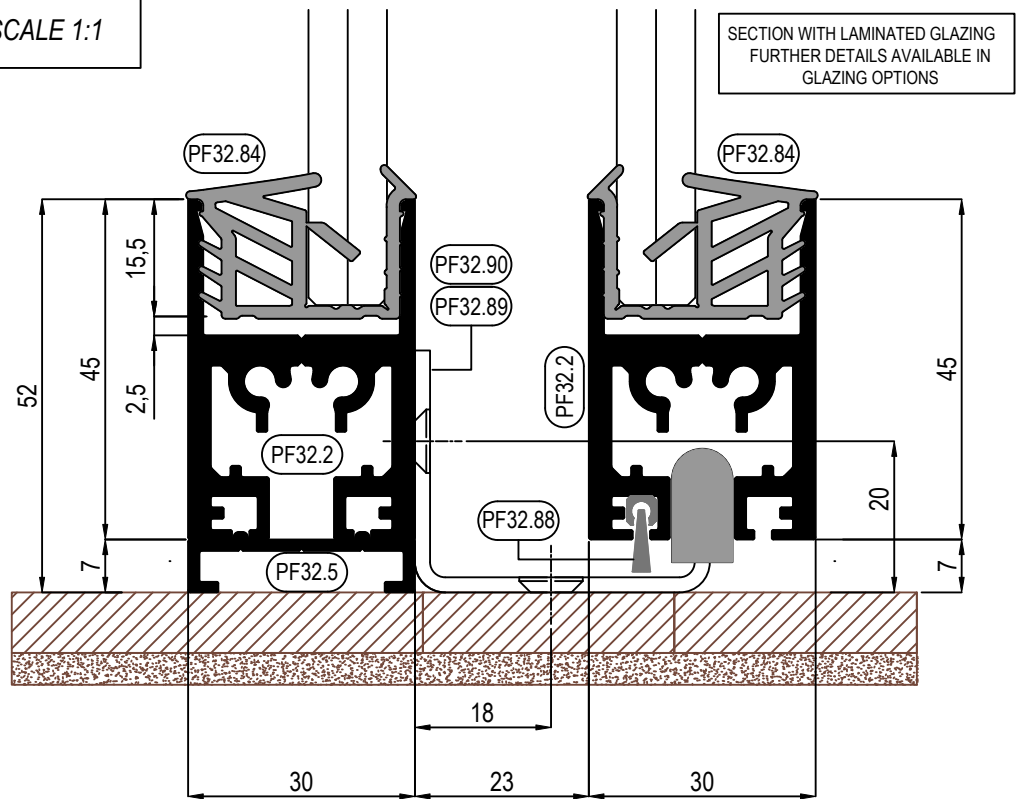


N DETAIL WING WITH DIVIDING PROFILE SCALE 1:1

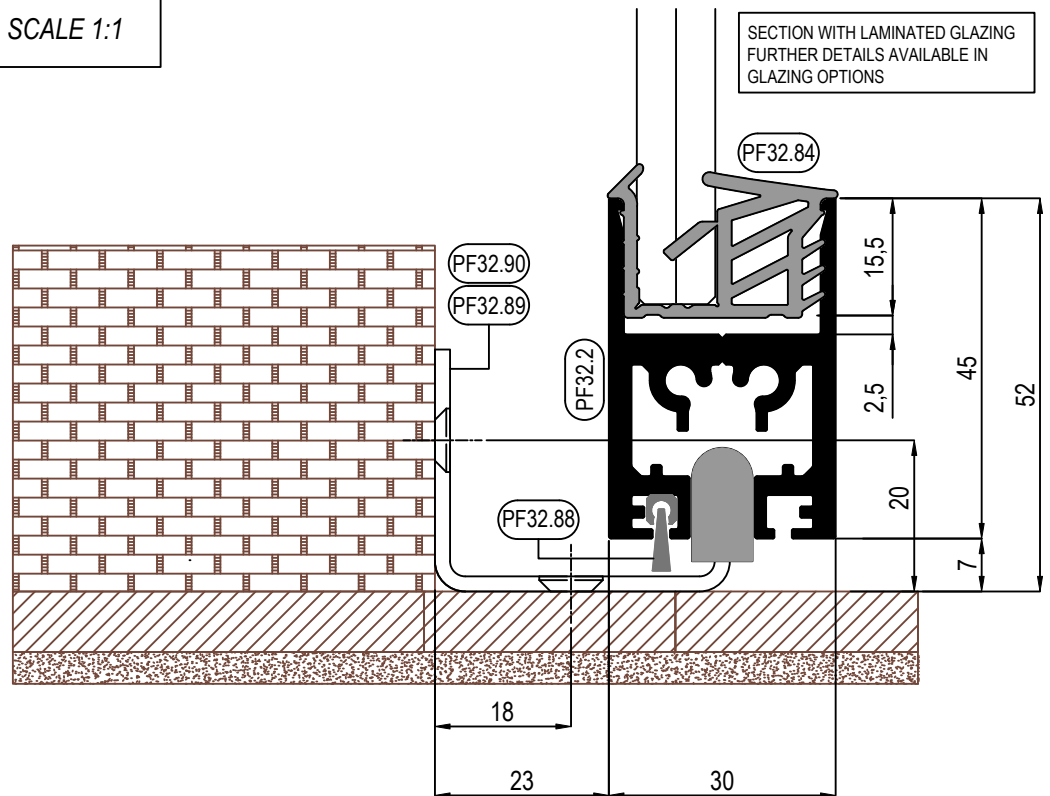
LAV. M30-08



O LOWER DETAIL SCALE 1:1



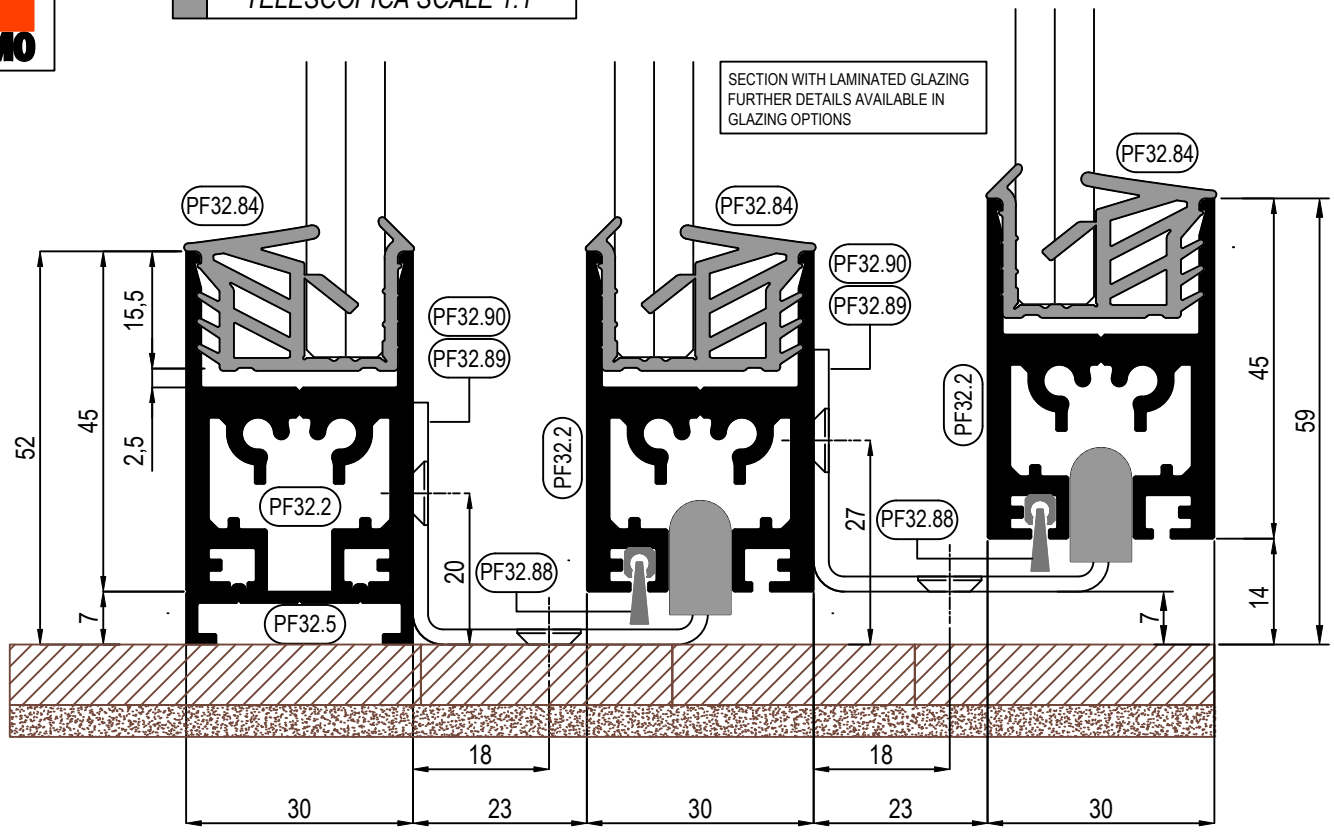
P LOWER DETAIL SCALE 1:1



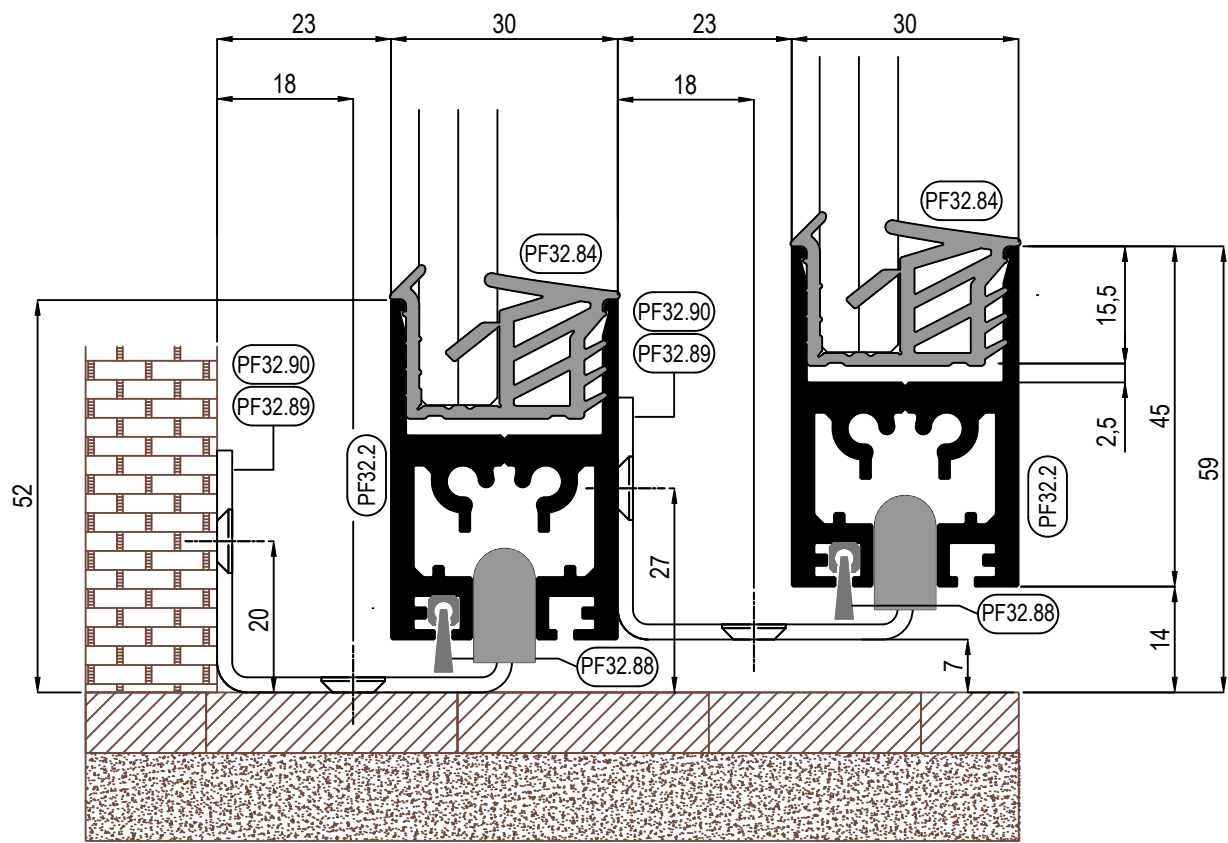


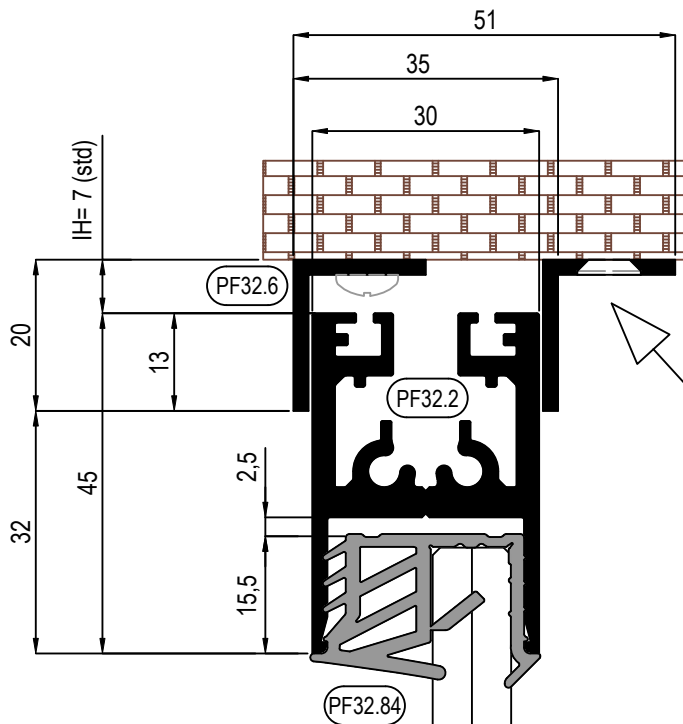
Q LOWER DETAIL  
TELESCOPICA SCALE 1:1

VERTICAL SECTION SCALE 1:1

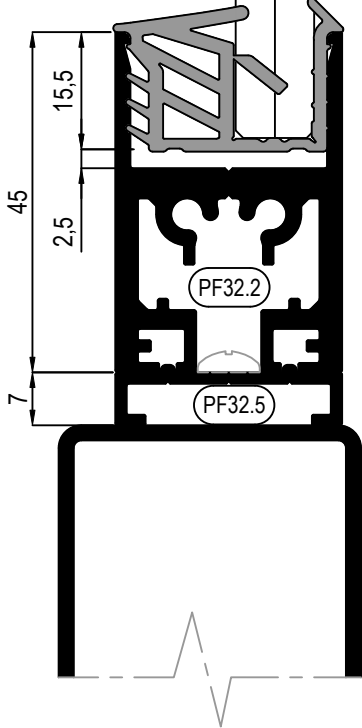
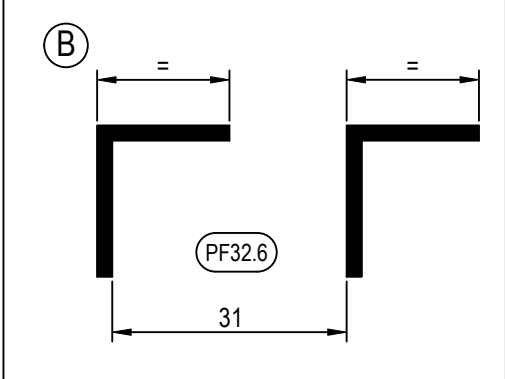
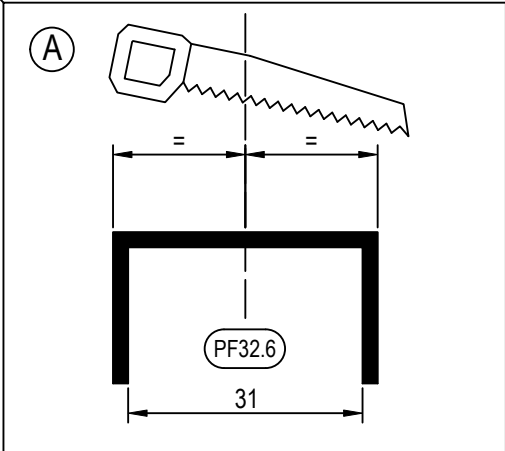


R LOWER DETAIL  
TELESCOPICA SCALE 1:1



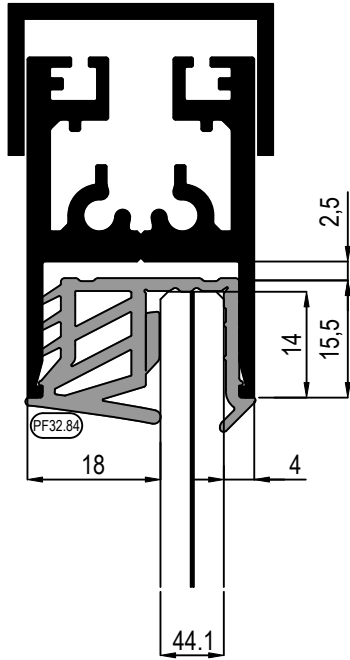


R UPPER OVER TRANSOM SECTION  
SCALE 1:1

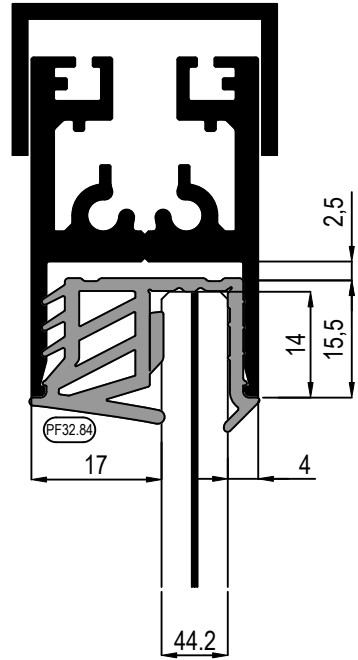


S LOWER OVER TRANSOM SECTION  
SCALE 1:1

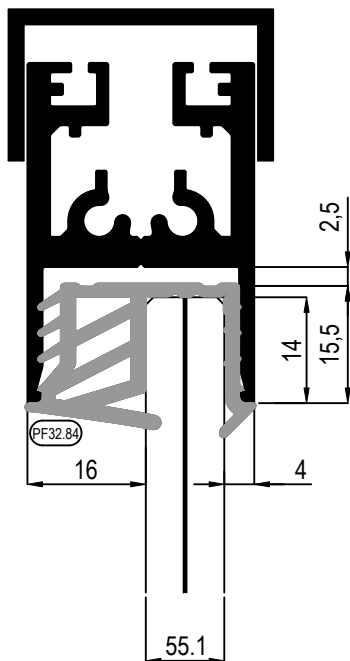
**A** LAMINATED 44.1



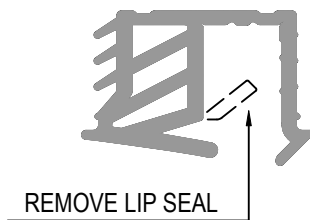
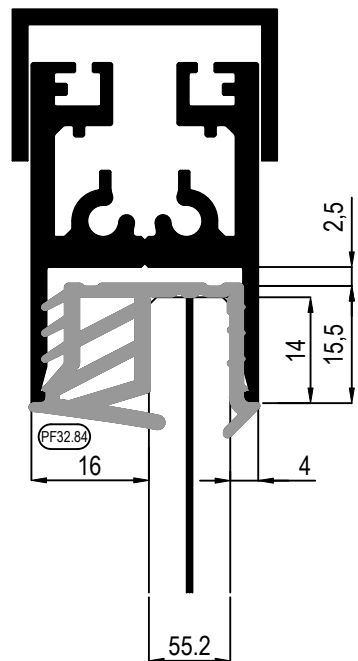
**B** LAMINATED 44.2



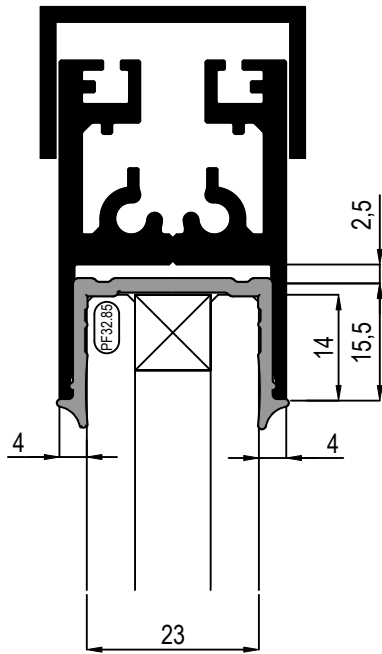
**C** LAMINATED 55.1



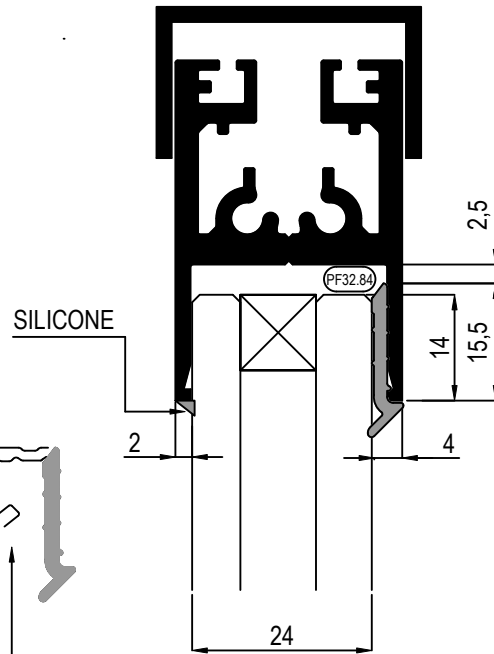
**D** LAMINATED 55.2



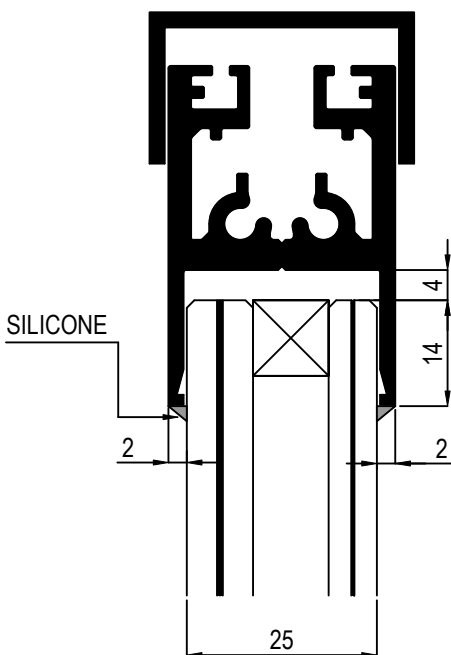
**E** DOUBLE GLASS  
23mm



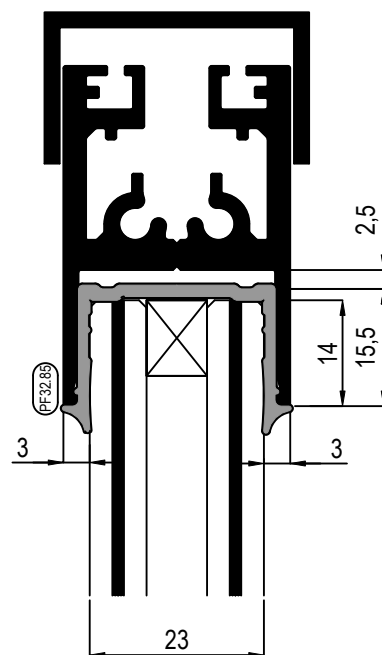
**F** DOUBLE GLASS  
24mm



**G** DOUBLE GLASS  
25mm



**H** BURGLAR GLASS  
P4A (EN356) 33.4/8/33.4



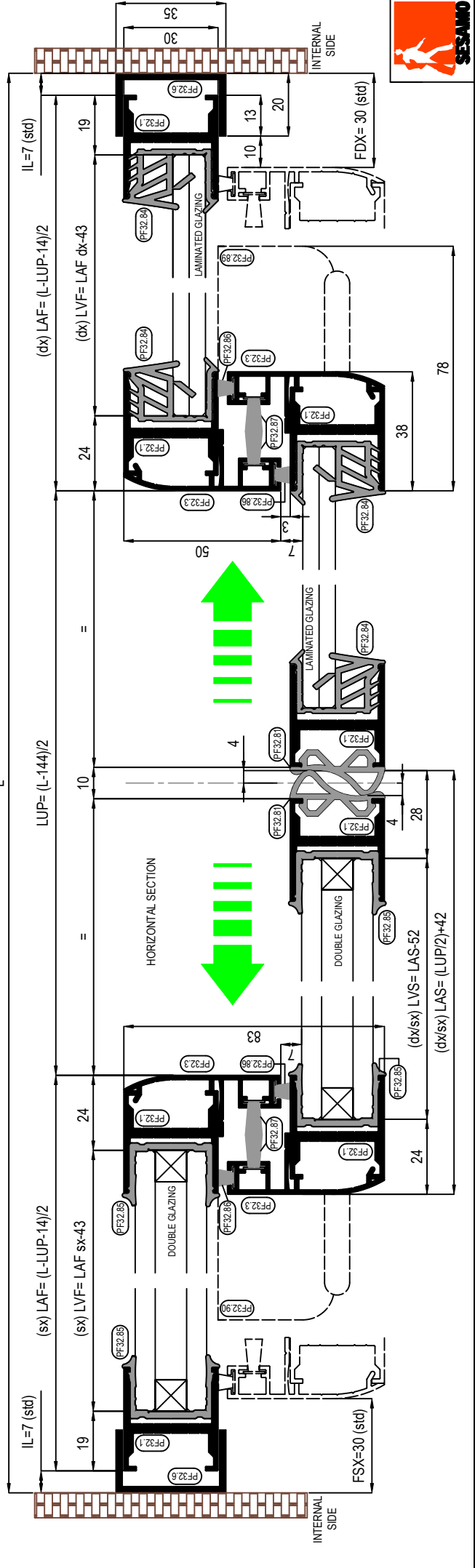
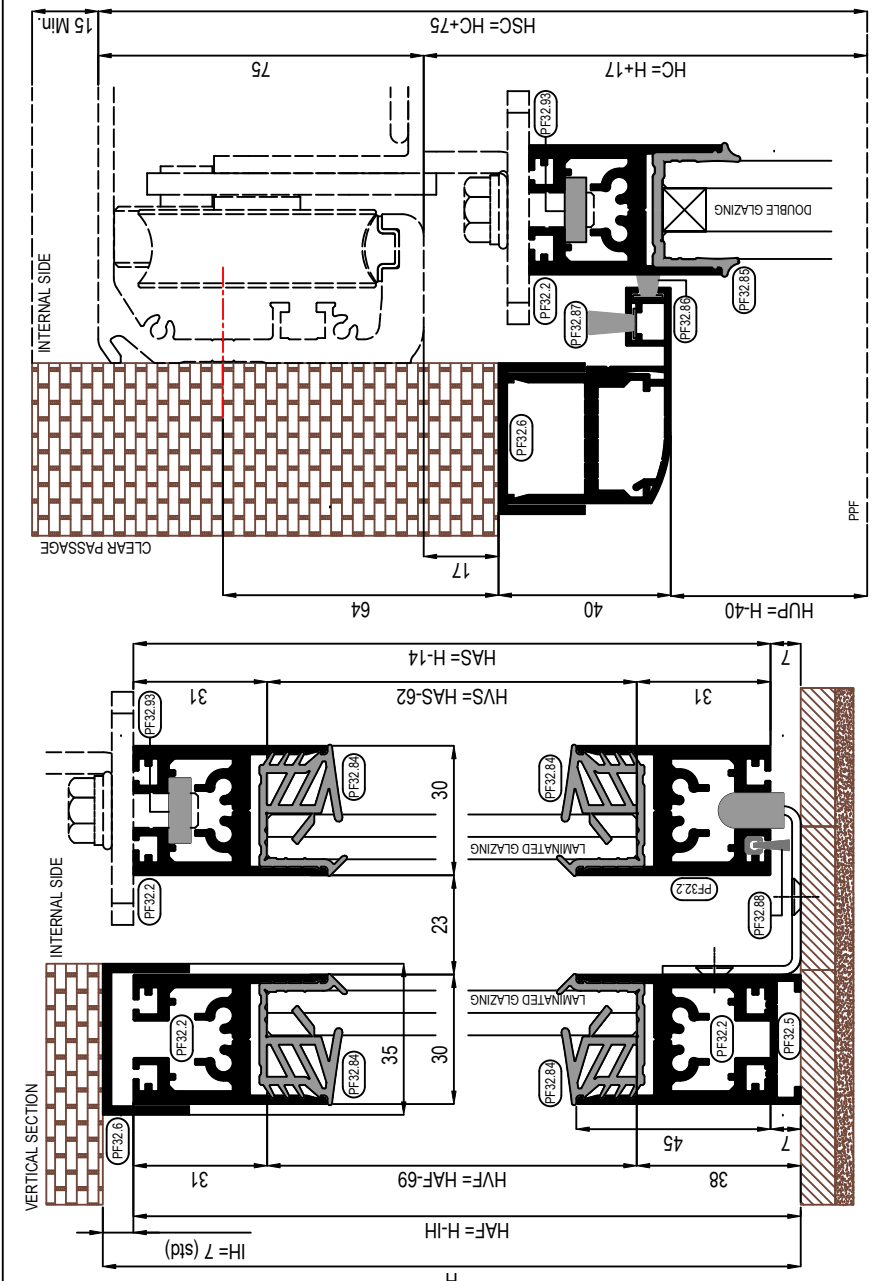
ITEM CODE	DESCRIPTION	UNIT	USE
PF32.89	SLIDING GUIDE RIGHT	1	SLIDING
PF32.90	SLIDING GUIDE LEFT	1	SLIDING
PF32.91	INTER. CORNER JOINTS	16	FIX+SLIDING
PF32.93	KIT CARRIAGE FIXING	2	SLIDING
PF32.94	KIT SCREW ASSEMB. WING	4	FIX+SLIDING

ACCESSORIES

ITEM CODE	DESCRIPTION	UNIT	FORMULA	CUTTING TABLE	USE
PF32.1	UPRIGHT	4	HAF	M30-01+M30-05	FIX
PF32.1	UPRIGHT	4	HAS	M30-01+M30-02	SLIDING
PF32.1	UPRIGHT	1	LUP	-	WALL OPENING
PF32.2	CROSSPIECE	4	LAF-71	-	FIX
PF32.2	CROSSPIECE	4	LAS-80	-	SLIDING
PF32.3	LABYRINTH	2	HAF	M30-07	FIX
PF32.3	LABYRINTH	2	HAS	M30-03+M30-04+M30-07	SLIDING
PF32.3	LABYRINTH	1	LUP	M30-07	WALL OPENING
PF32.5	CROSSPIECE SUPPORT	2	LAF-71	-	FIX
PF32.6	"U" CHANNEL 35x20	1	L+20 (EXTRA MM)	-	WALL OPENING
PF32.6	"U" CHANNEL 35x20	2	H+20 (EXTRA MM)	-	WALL OPENING
PF32.81	CENTRAL CLOSING GASKET	1	HASx2	M30-06	SLIDING
PF32.84	GASKET LAMINATED GLASS	1	((LAF+HV)+LVS+HVS)+12)x4		FIX+SLIDING
PF32.85	GASKET DOUBLE GLASS	1	((LAF+HV)+LVS+HVS)+12)x4		FIX+SLIDING+WALL
PF32.86	BRUSH H6mm	1	(HAF+HAS)x2-LUP		FIX+SLIDING+WALL
PF32.87	BRUSH H11mm	1	(HAF+HAS)x2-LUP		FIX+SLIDING
PF32.88	HARD BRUSH H10mm	2	LAS-17	-	SLIDING

ALUMINIUM PROFILES

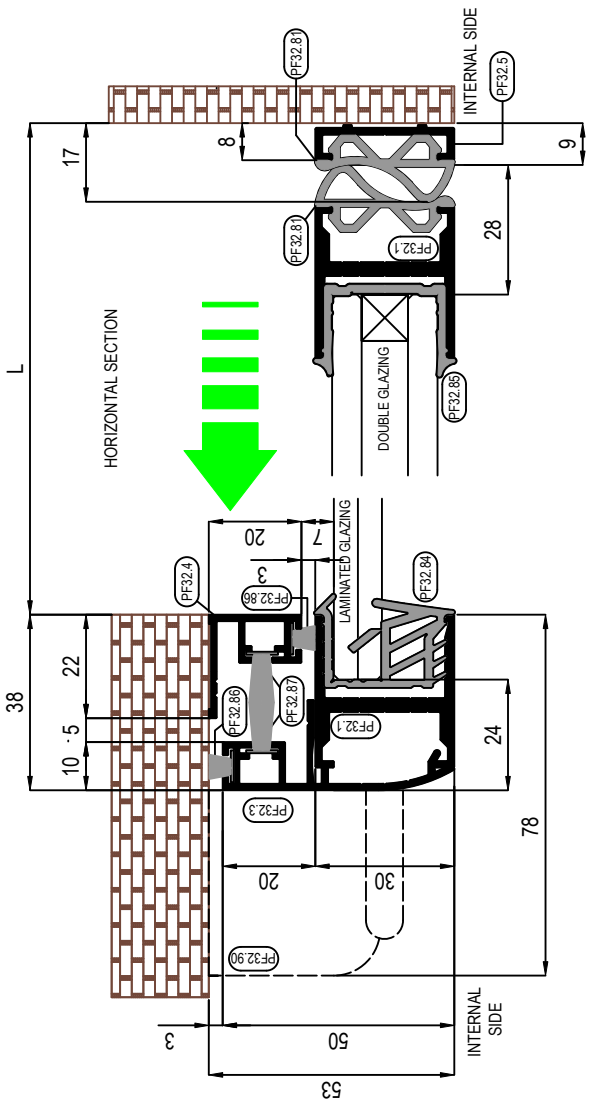
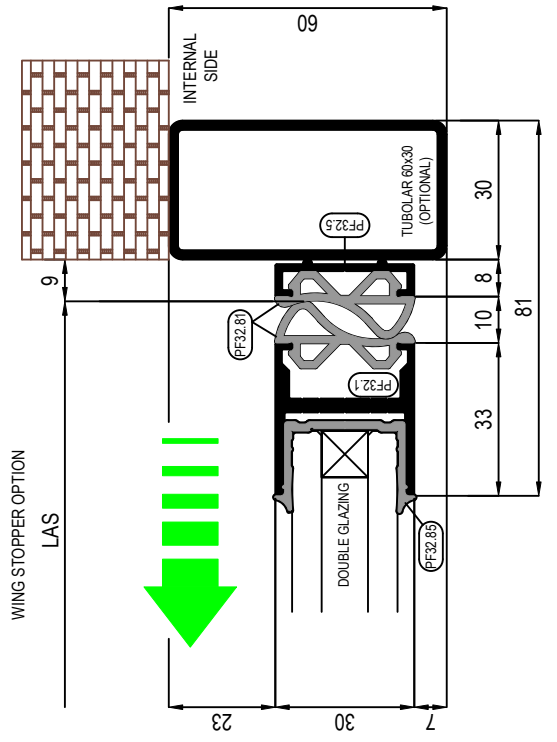
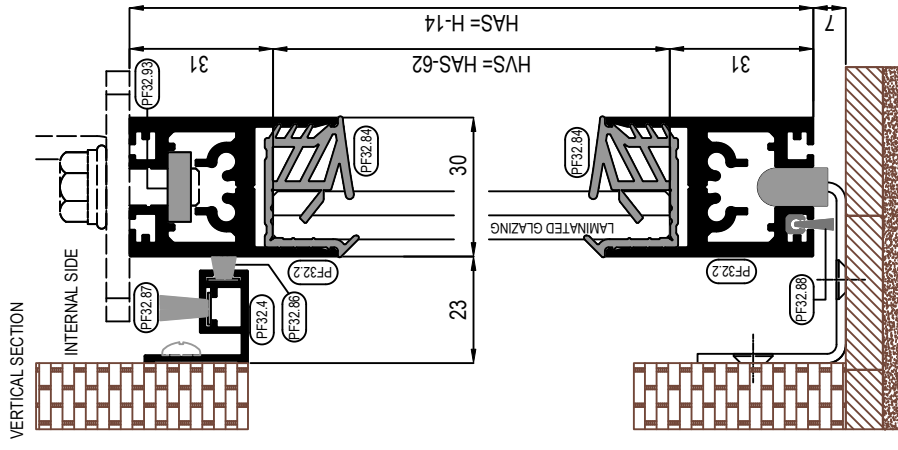
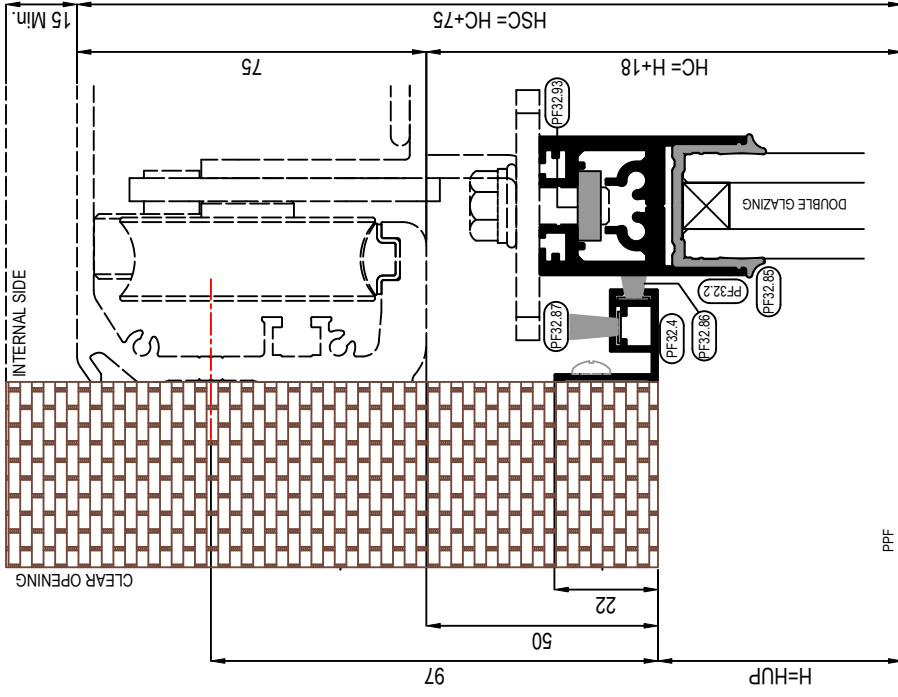
GASKETS / BRUSHES





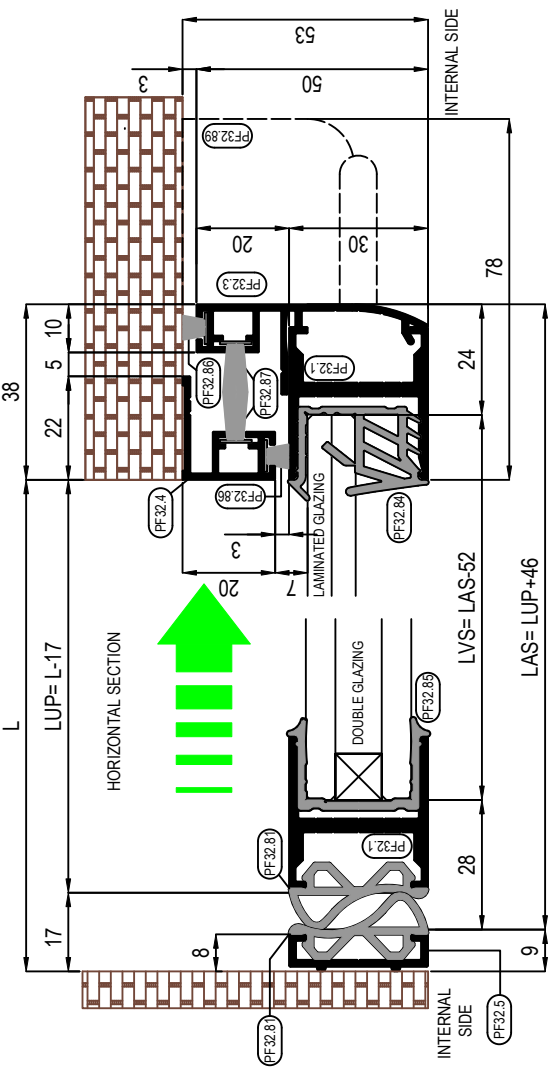
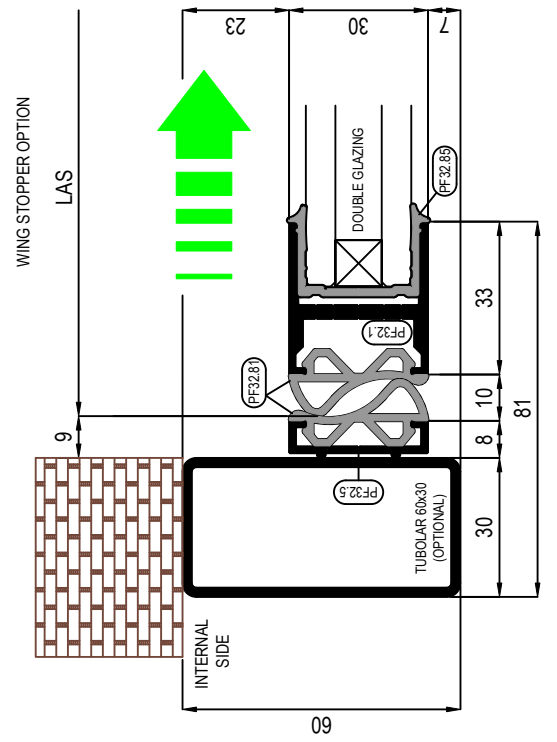
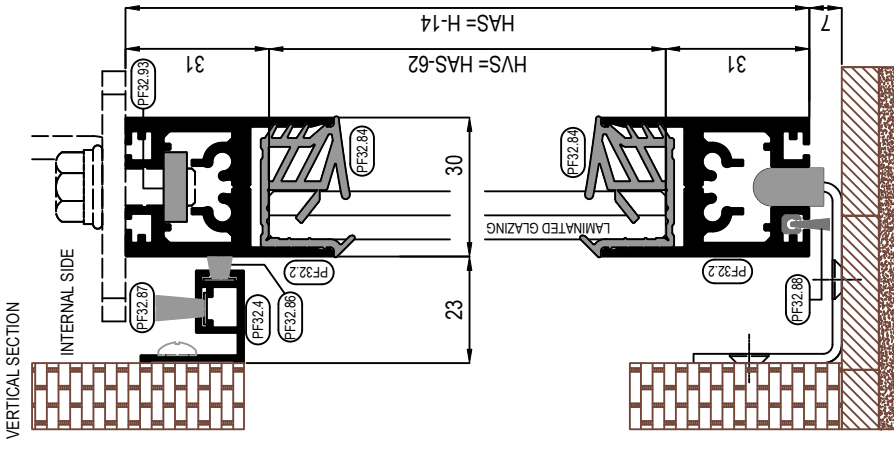
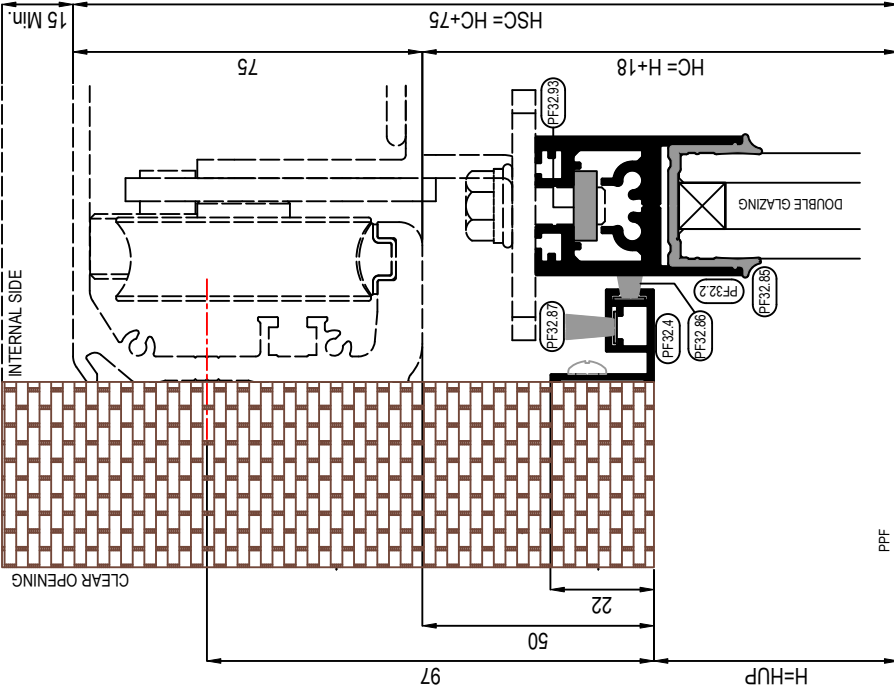






ITEM CODE	DESCRIPTION	UNIT	USE
PF32.90	SLIDING GUIDE LEFT	1	SLIDING
PF32.91	INTER. CORNER JOINTS	4	SLIDING
PF32.93	KIT CARRIAGE FIXING	1	SLIDING
PF32.94	KIT SCREW ASSEMB. WING	1	SLIDING

ITEM CODE	DESCRIPTION	UNIT	FORMULA	CUTTING TABLE	USE
PF32.1	UPRIGHT	2	HAS	M30-01+M30-02	SLIDING
PF32.2	CROSSPIECE	2	LAS-80	-	SLIDING
PF32.3	LABYRINTH	1	HAS	M30-03+M30-04+M30-07	SLIDING
PF32.5	CROSSPIECE SUPPORT	1	HAS+7	-	WING STOPPER
PF32.4	WALL FRAME	1	HUP	-	WALL FRAME
PF32.4	WALL FRAME	1	L+10	-	WALL FRAME
PF32.81	CENTRAL CLOSING GASKET	1	(HASx2)+7	M30-06	SLIDING+STOPPER
PF32.84	GASKET LAMINATED GLASS	1	(LVS+HVS+6)x2	-	SLIDING
PF32.85	GASKET DOUBLE GLASS	1	(LVS+HVS+6)x2	-	SLIDING
PF32.86	BRUSH H6mm	1	HAS+(L+10)+HUP	-	WALL+SLIDING
PF32.87	BRUSH H11mm	1	HAS+(L+10)+HUP	-	WALL+SLIDING
PF32.88	HARD BRUSH H10mm	1	LAS-17	-	SLIDING



ITEM CODE	DESCRIPTION	UNIT	FORMULA	CUTTING TABLE	USE
PF32.89	SLIDING GUIDE LEFT	1			SLIDING
PF32.91	INTER. CORNER JOINTS	4			SLIDING
PF32.93	KIT CARRIAGE FIXING	1			SLIDING
PF32.94	KIT SCREW ASSEMBLY WING	1			SLIDING
ACCESSORIES					
ITEM CODE	DESCRIPTION	UNIT	FORMULA	CUTTING TABLE	USE
PF32.1	UPRIGHT	2	HAS	M30-01+M30-02	SLIDING
PF32.2	CROSSPIECE	2	LAS-80	-	SLIDING
PF32.3	LABYRINTH	1	HAS	M30-03+M30-04+M30-07	SLIDING
PF32.5	CROSSPIECE SUPPORT	1	HAS+7	-	WING STOPPER
PF32.4	WALL FRAME	1	HUP	-	WALL FRAME
PF32.4	WALL FRAME	1	L+10	-	WALL FRAME
PF32.81	CENTRAL CLOSING GASKET	1	(HASx2)+7	M30-06	SLIDING+STOPPER
PF32.84	GASKET LAMINATED GLASS	1	(LVS+HVS+6)x2		SLIDING
PF32.85	GASKET DOUBLE GLASS	1	(LVS+HVS+6)x2		SLIDING
PF32.86	BRUSH H6mm	1	HAS+(L+10)+HUP		WALL OPEN+SLIDING
PF32.87	BRUSH H11mm	1	HAS+(L+10)+HUP		WALL OPEN+SLIDING
PF32.88	HARD BRUSH H10mm	1	LAS-17	-	SLIDING
GASKETS / BRUSHES!					
ITEM CODE	DESCRIPTION	UNIT	FORMULA	CUTTING TABLE	USE
ALUMINIUM PROFILES					

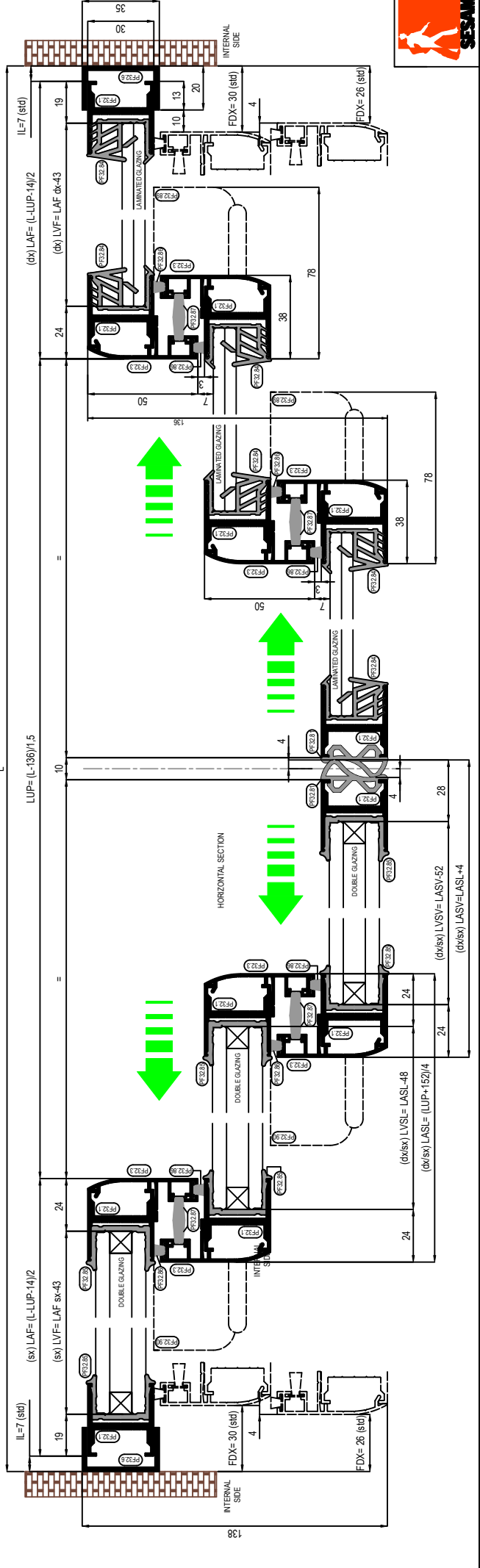
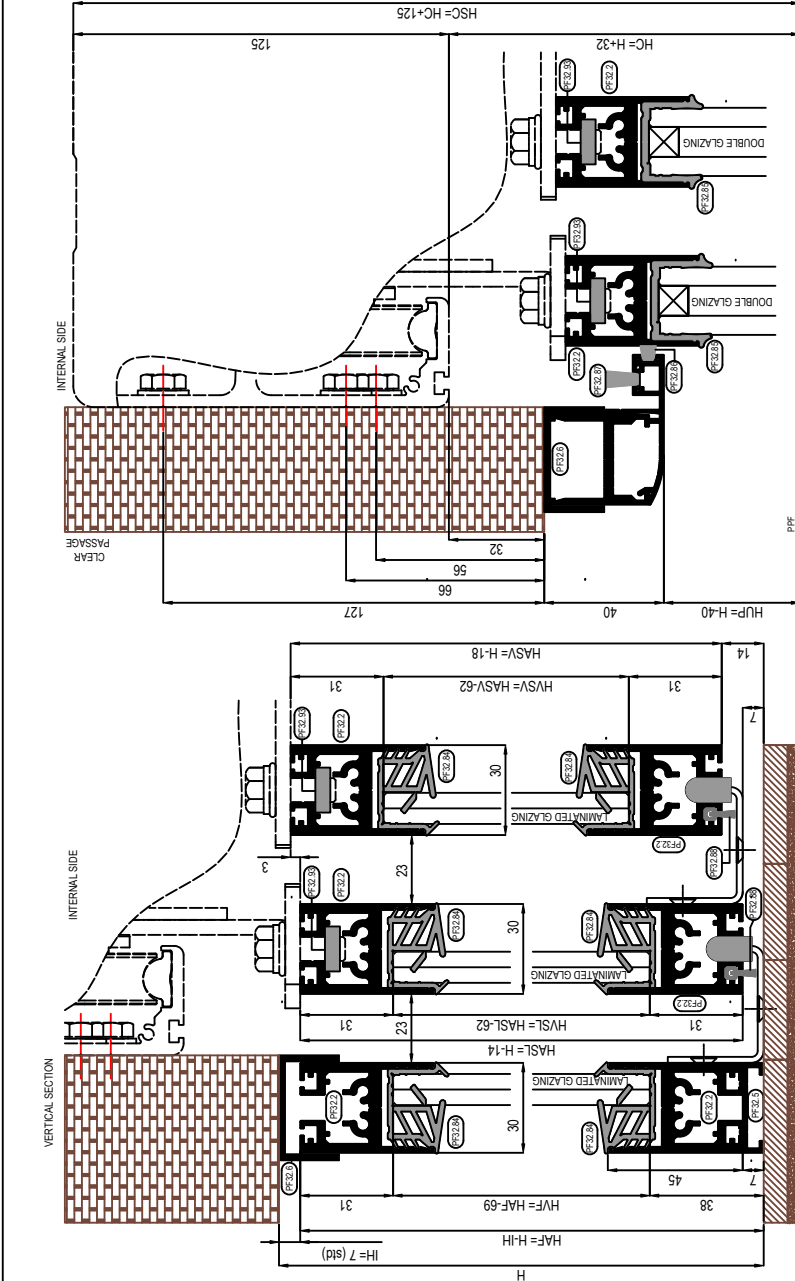
ITEM CODE	DESCRIPTION	UNIT	FORMULA	CUTTING TABLE	USE
PF32.89	SLIDING GUIDE RIGHT	2	HAF	M30-01+M30-05	SLIDING
PF32.90	SLIDING GUIDE LEFT	2	HASL	M30-01+M30-02	SLIDING
PF32.91	INTER. CORNER JOINTS	24	HASV	M30-01+M30-02	FIX+SLIDING
PF32.93	KIT CARRIAGE FIXING	4	LUP	-	SLIDING
PF32.94	KIT SCREW ASSEMB. WING	6	LUP	-	FIX+SLIDING

ITEM CODE	DESCRIPTION	UNIT	FORMULA	CUTTING TABLE	USE
PF32.1	UPRIGHT	4	HAF	M30-01+M30-05	FIX
PF32.1	UPRIGHT	4	HASL	M30-01+M30-02	SLOW SLIDING
PF32.1	UPRIGHT	4	HASV	M30-01+M30-02	FAST SLIDING
PF32.1	UPRIGHT	1	LUP	-	WALL FRAME
PF32.2	CROSSPIECE	4	LAF-71	-	FIX
PF32.2	CROSSPIECE	8	LASL-76	-	SLIDING (F+S)
PF32.3	LABYRINTH	2	HAF	M30-07	FIX
PF32.3	LABYRINTH	4	HASL	M30-03+M30-04+M30-07	SLOW SLIDING
PF32.3	LABYRINTH	2	HASV	M30-03+M30-07	FAST SLIDING
PF32.3	LABYRINTH	1	LUP	M30-07	WALL FRAME
PF32.5	CROSSPIECE SUPPORT	2	LAF-71	-	FIX
PF32.6	"U" CHANNEL 35x20	1	L+20 <sub>(EXTRA MM)</sub>	-	WALL FRAME
PF32.6	"U" CHANNEL 35x20	2	H+20 <sub>(EXTRA MM)</sub>	-	WALL FRAME
PF32.81	CENTRAL CLOSING GASKET	1	HASVx2	M30-06	FAST SLIDING
PF32.84	GASKET LAMINATED GLASS	1	((HVSL+LVSL)+(HVSV+LVS)+(HVFL+LVFL)+18)x4	-	FIX+SLIDING
PF32.85	GASKET DOUBLE GLASS	1	((HVSL+LVSL)+(HVSV+LVS)+(HVFL+LVFL)+18)x4	-	FIX+SLIDING
PF32.86	BRUSH H6mm	1	(HAF-2)+(HASLx4)+(HASVx2)+LUP	-	FIX+SLIDING+WALL
PF32.87	BRUSH H11mm	1	(HAF-2)+(HASLx4)+(HASVx2)+LUP	-	FIX+SLIDING+WALL
PF32.88	HARD BRUSH H10mm	2	LASL-17	-	SLOW SLIDING
PF32.88	HARD BRUSH H10mm	2	LASV-17	-	FAST SLIDING

ALUMINIUM PROFILES

GASKETS / BRUSHES

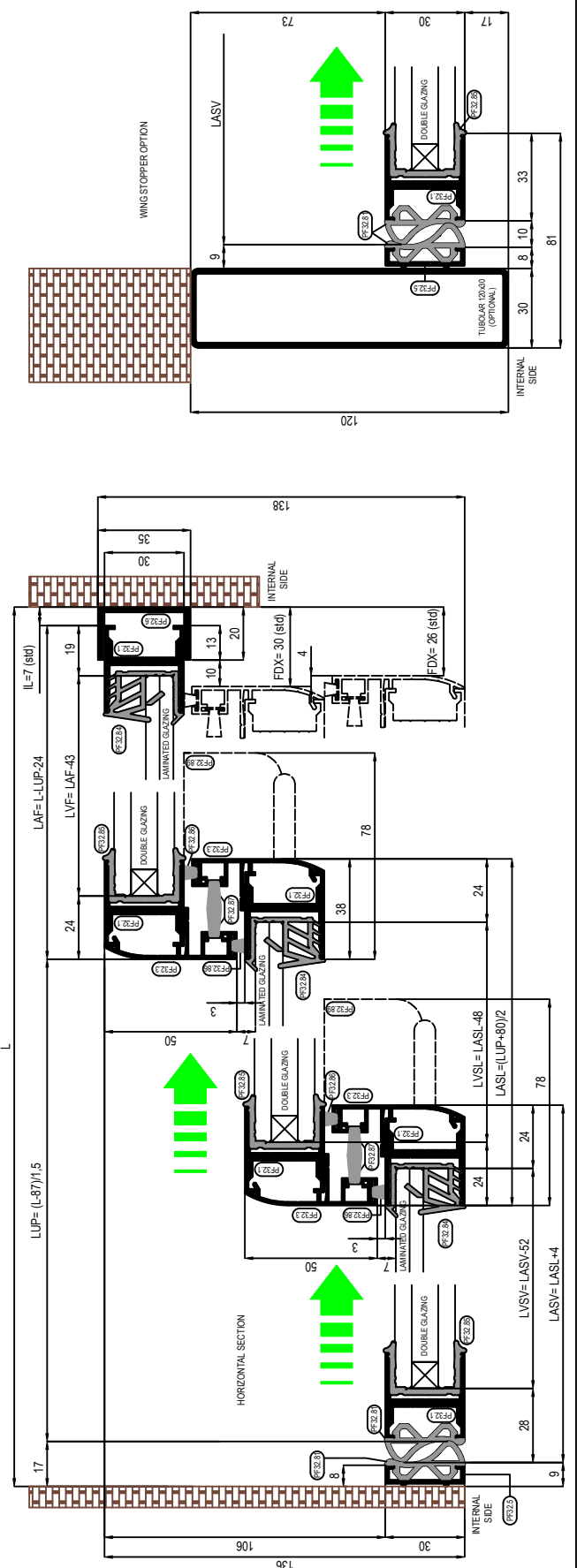
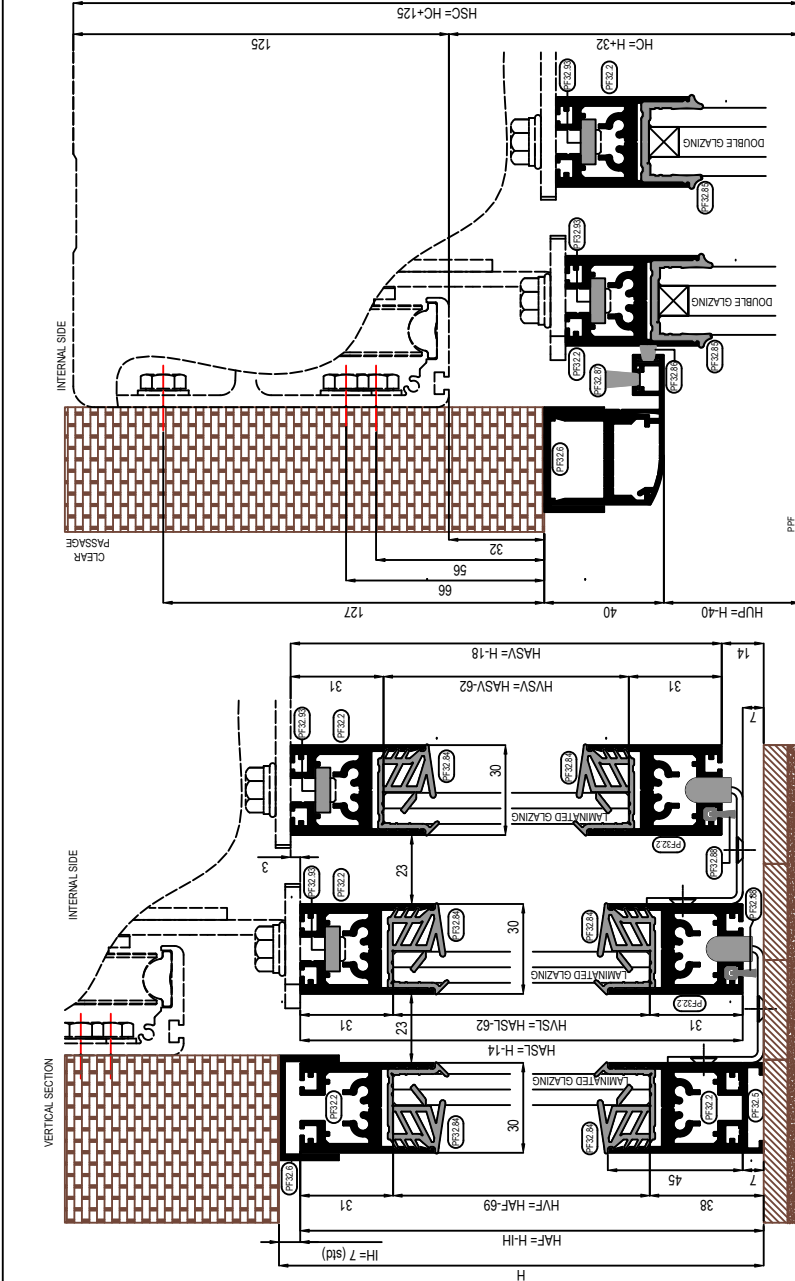




ITEM CODE	DESCRIPTION	UNIT	FORMULA	CUTTING TABLE	USE
PF32.89	SLIDING GUIDE RIGHT	2	HAF	M30-01+M30-05	FIX
PF32.91	INTER. CORNER JOINTS	12	HASL	M30-01+M30-02	SLOW SLIDING
PF32.93	KIT CARRIAGE FIXING	2	HASV	M30-01+M30-02	FAST SLIDING
PF32.94	KIT SCREW ASSEMB. WING	3	LUP+17	-	WALL FRAME
			LAF-71	-	FIX
			LAF-76	-	SLIDING (F+S)
			M30-07	-	FIX
			M30-03+M30-04+M30-07	-	SLOW SLIDING
			M30-03 + M30-07	-	FAST SLIDING
			M30-07	-	WALL FRAME
			LAF-71	-	FIX
			HASV+14	-	WING STOPPER
			L+20 <sub>(PFA,WA)</sub>	-	WALL FRAME
			H+20 <sub>(PFA,WA)</sub>	-	WALL FRAME
PF32.81	CENTRAL CLOSING GASKET	1	(HASVx2)+14	M30-06	SLIDING-STOPPER
PF32.84	GASKET LAMINATED GLASS	1	((HVS/L+LVS/L)+(HVS/H+LVS/H)+(HVF+LVF+19)x2)	-	FIX+SLIDING
PF32.85	GASKET DOUBLE GLASS	1	((HVS/L+LVS/L)+(HVS/H+LVS/H)+(HVF+LVF+19)x2)	-	FIX+SLIDING
PF32.86	BRUSH H6mm	1	HAF+(HASLx2)+HASV+(LUP+17)	-	FIX+SLIDING+WALL
PF32.87	BRUSH H11mm	1	HAF+(HASLx2)+HASV+(LUP+17)	-	FIX+SLIDING+WALL
PF32.88	HARD BRUSH H10mm	1	LASL-17	-	SLOW SLIDING
PF32.88	HARD BRUSH H10mm	1	LASV-17	-	FAST SLIDING

ALUMINIUM PROFILES

GASKETS / BRUSHES

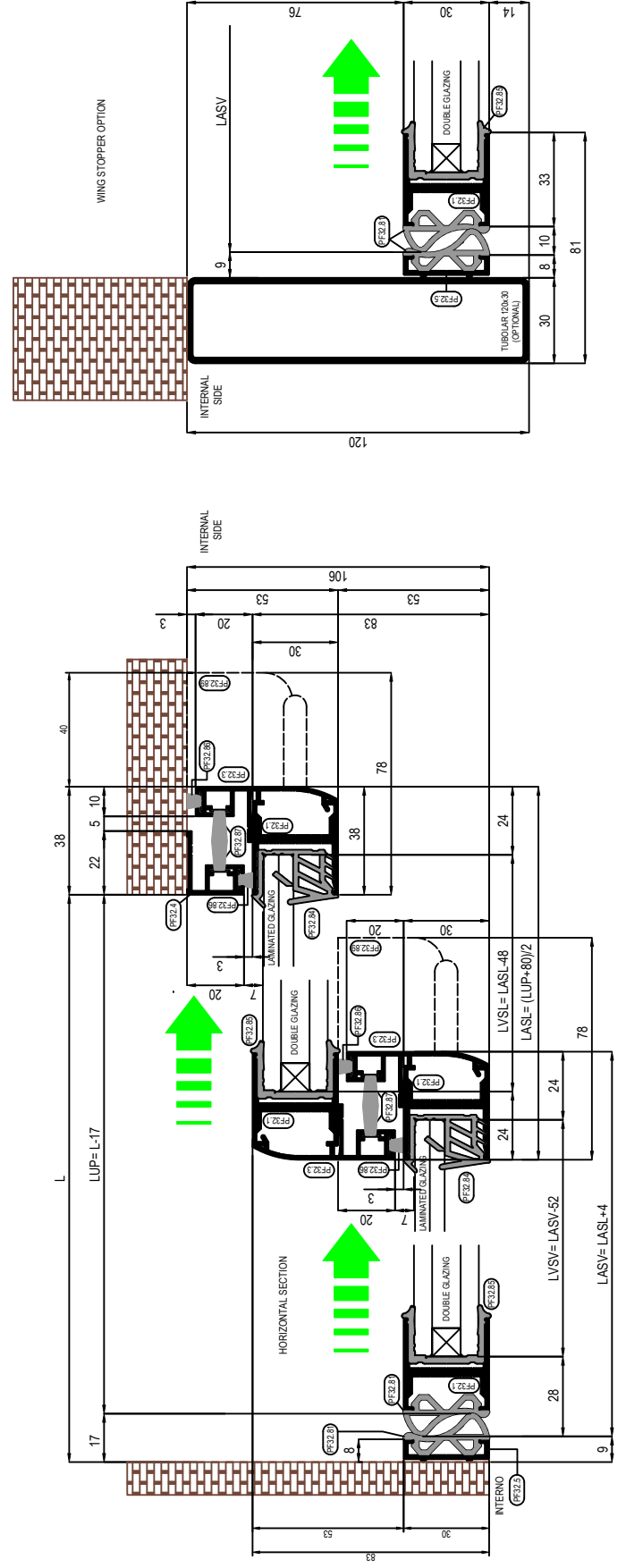
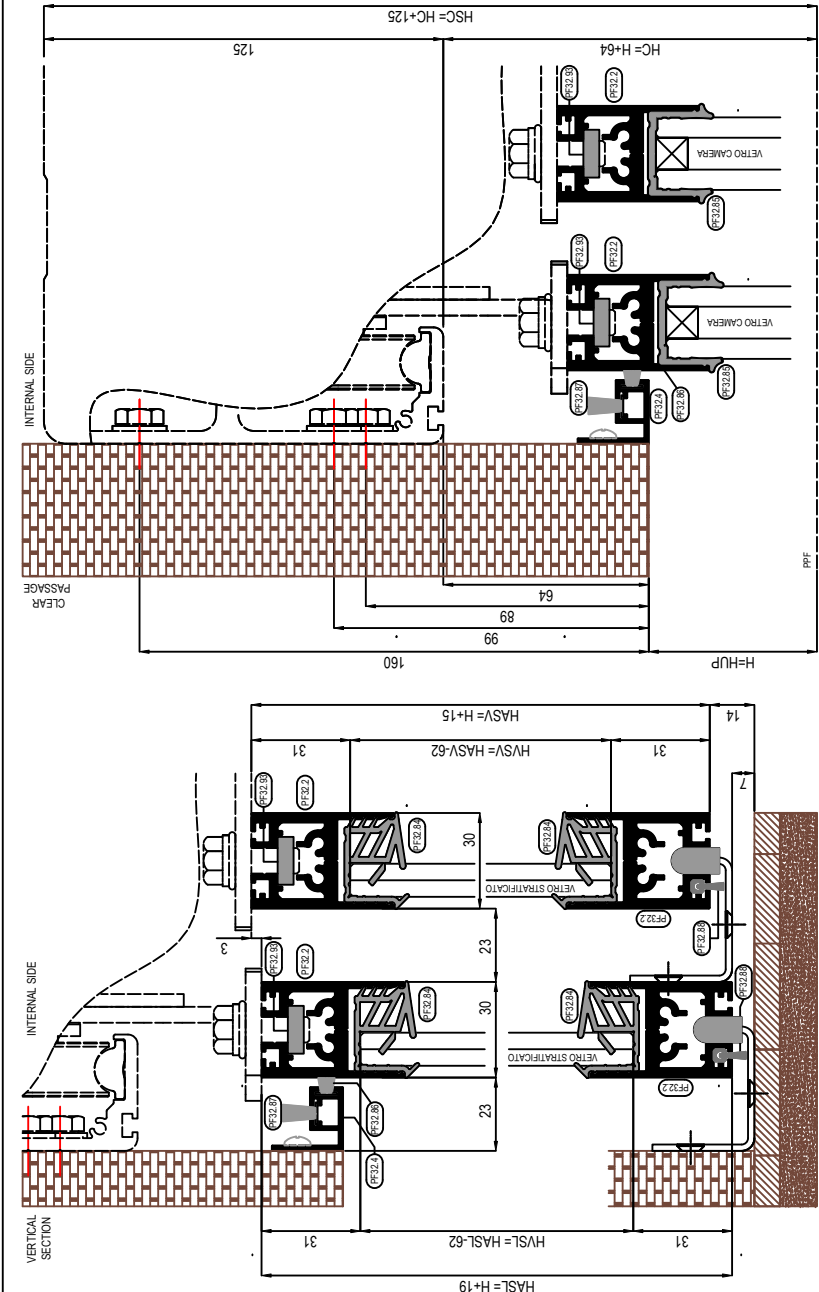






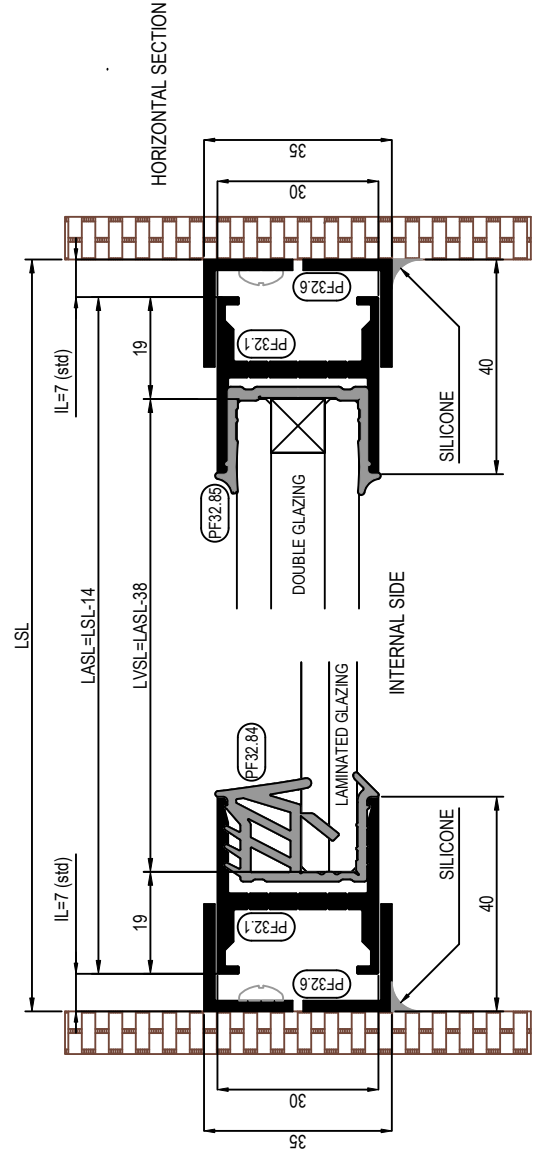
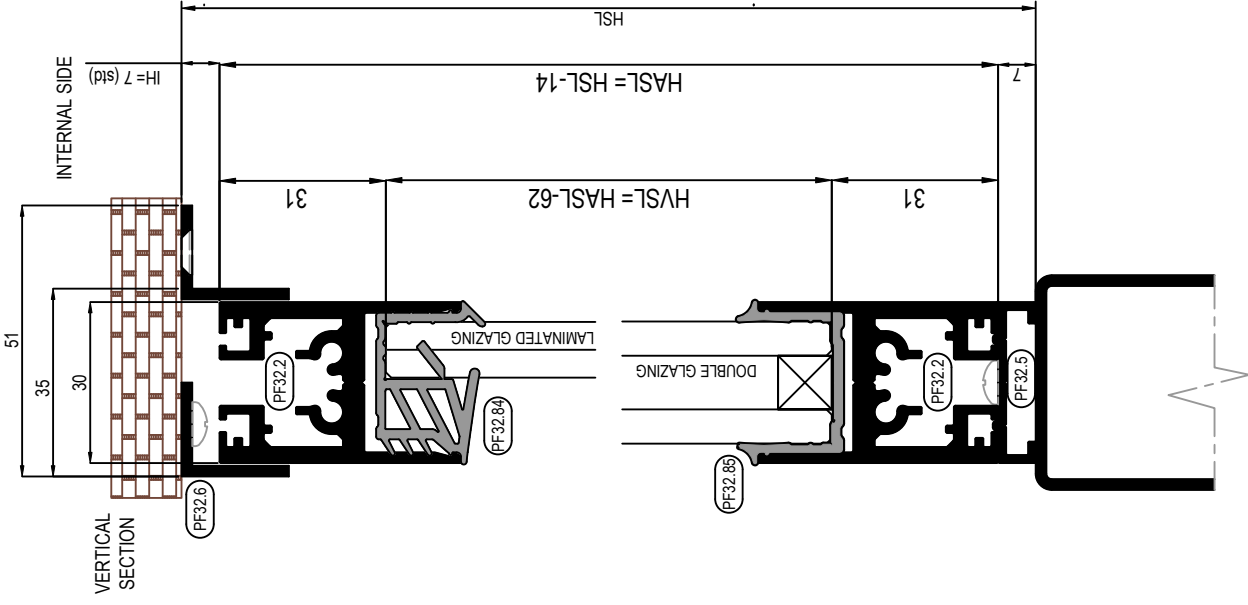
ITEM CODE	DESCRIPTION	UNIT	USE
PF32.89	SLIDING GUIDE RIGHT	2	SLIDING
PF32.91	INTER. CORNER JOINTS	8	FIX+SLIDING
PF32.93	KIT CARRIAGE FIXING	2	SLIDING
PF32.94	KIT SCREW ASSEMB. WING	2	FIX+SLIDING
ACCESSORIES			

ITEM CODE	DESCRIPTION	UNIT	FORMULA	CUTTING TABLE	USE
PF32.1	UPRIGHT	2	HASL	M30-01+M30-02	SLOW SLIDING
PF32.1	UPRIGHT	2	HASV	M30-01+M30-02	FAST SLIDING
PF32.2	CROSSPIECE	4	LASL-76	-	SLIDING
PF32.3	LABYRINTH	2	HASL	M30-03+M30-07	SLOW SLIDING
PF32.3	LABYRINTH	1	HASV	M30-03+M30-07	FAST SLIDING
PF32.5	CROSSPIECE SUPPORT	1	HASV+14	-	WING STOPPER
PF32.4	WALL FRAME	1	H	-	WALL FRAME
PF32.4	WALL FRAME	1	L+10	-	WALL FRAME
PF32.81	CENTRAL CLOSING GASKET	1	(HASVx2)+14	M30-06	SLIDING+STOPPER
PF32.84	GASKET LAMINATED GLASS	1	((HVSL+LVSL)+(HVSV+LVS)+(12)x2)	-	SLIDING
PF32.85	GASKET DOUBLE GLASS	1	((HVSL+LVSL)+(HVSV+LVS)+(12)x2)	-	SLIDING
PF32.86	BRUSH H6mm	1	(HASLx2)+HASCV+H+(LUP+10)	-	WALL+SLIDING
PF32.87	BRUSH H11mm	1	(HASLx2)+HASCV+H+(LUP+10)	-	WALL+SLIDING
PF32.88	HARD BRUSH H10mm	1	LASL-17	-	SLOW SLIDING
PF32.88	HARD BRUSH H10mm	1	LASV-17	-	FAST SLIDING



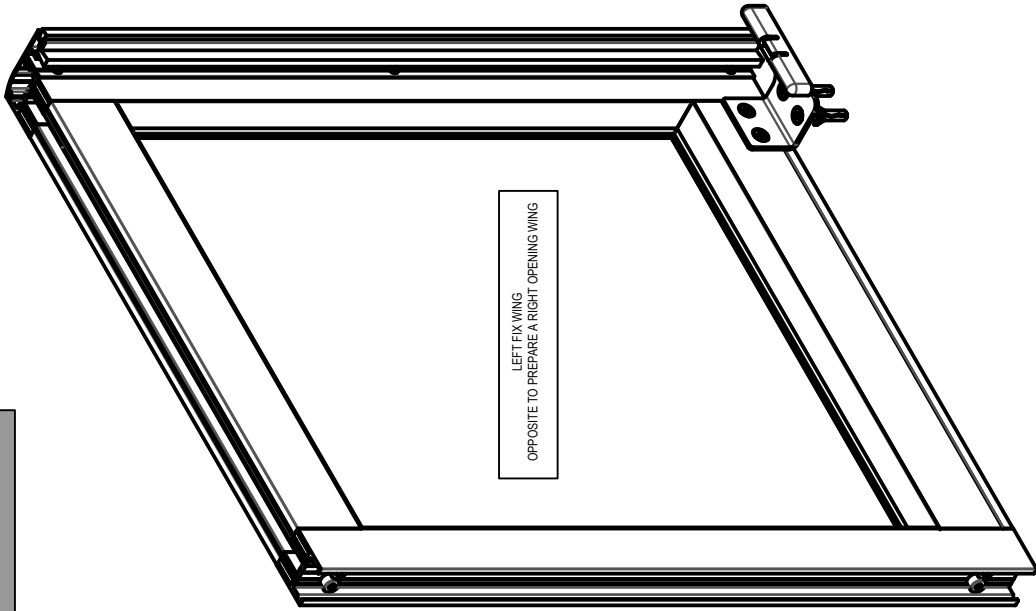


ITEM CODE	DESCRIPTION	UNIT	FORMULA	CUTTING TABLE	USE
PF32.1	UPRIGHT	2	HSL-14	M30-01	OVER TRANSOM
PF32.2	CROSSPIECE	2	LSL-80	-	OVER TRANSOM
PF32.5	CROSSPIECE SUPPORT	1	LASL	-	OVER TRANSOM
PF32.6	"U" CHANNEL 35x20	1	LSL+20 <sup>(SOVRA METALLO)</sup>	CUT IN TWO PARTS	OVER TRANSOM
PF32.6	"U" CHANNEL 35x20	2	HSL+20 <sup>(SOVRA METALLO)</sup>	CUT IN TWO PARTS	OVER TRANSOM
PF32.84	GASKET LAMINATED GLASS	1	(LVSL+HVSL+6)x2)		OVER TRANSOM
PF32.85	GASKET DOUBLE GLASS	1	(LVSL+HVSL+6)x2)		OVER TRANSOM
ITEM CODE	DESCRIPTION	UNIT	USE		
PF32.91	INTER. CORNER JOINTS	4	OVER TRANSOM		
PF32.94	KIT SCREW ASSEMB. WING	1	OVER TRANSOM		

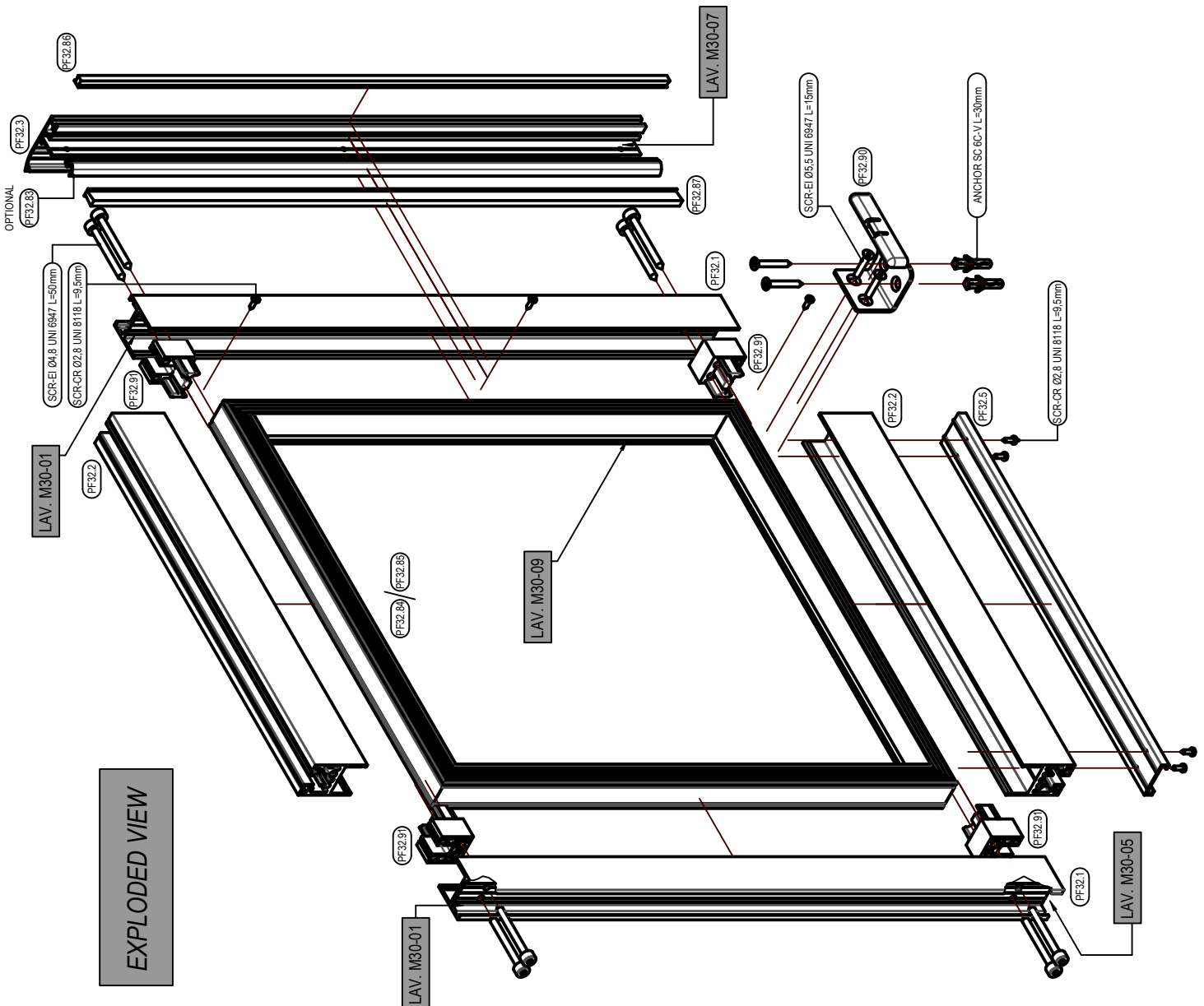




ASSEMBLED VIEW



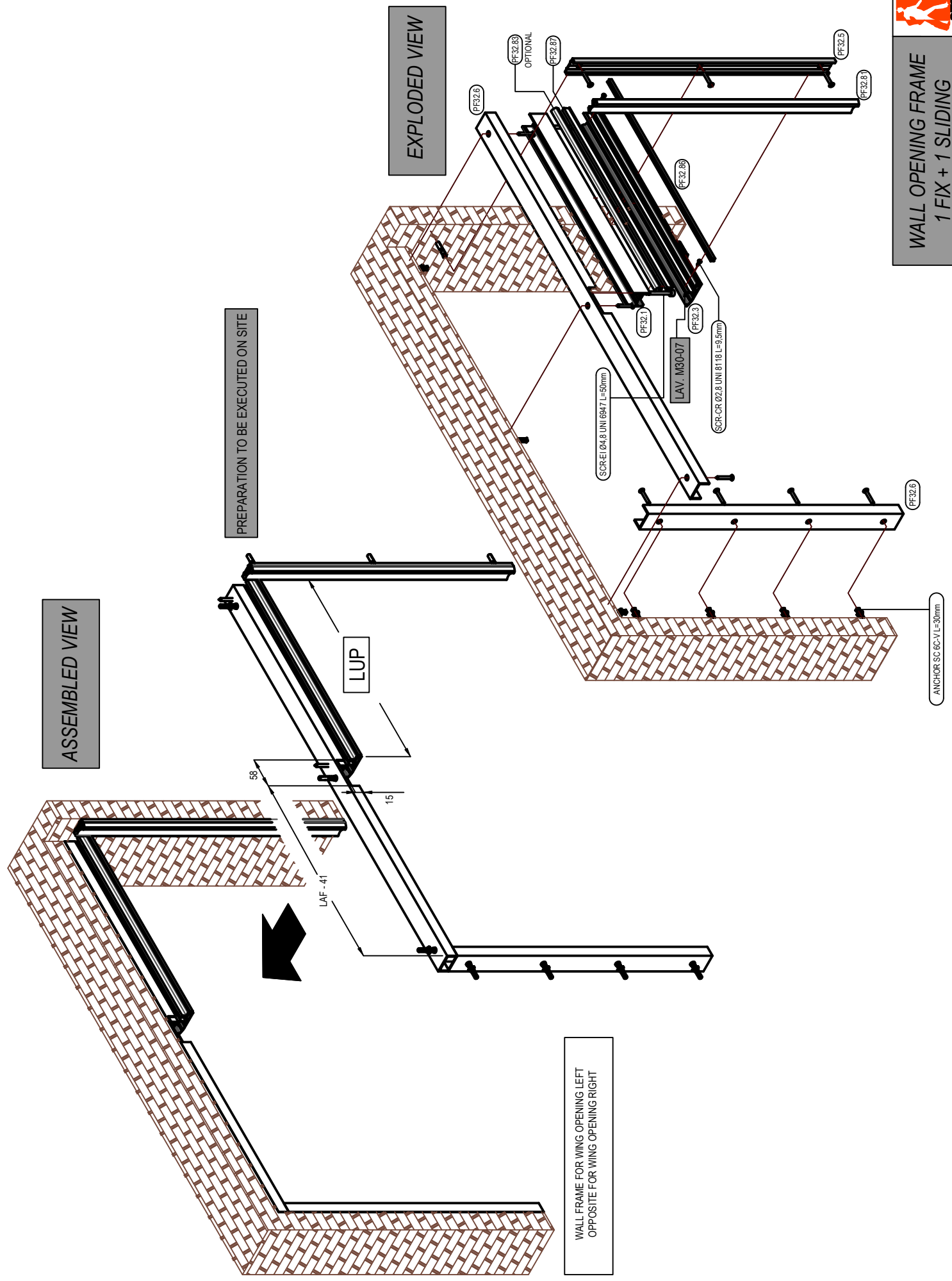
EXPLODED VIEW











ASSEMBLED VIEW

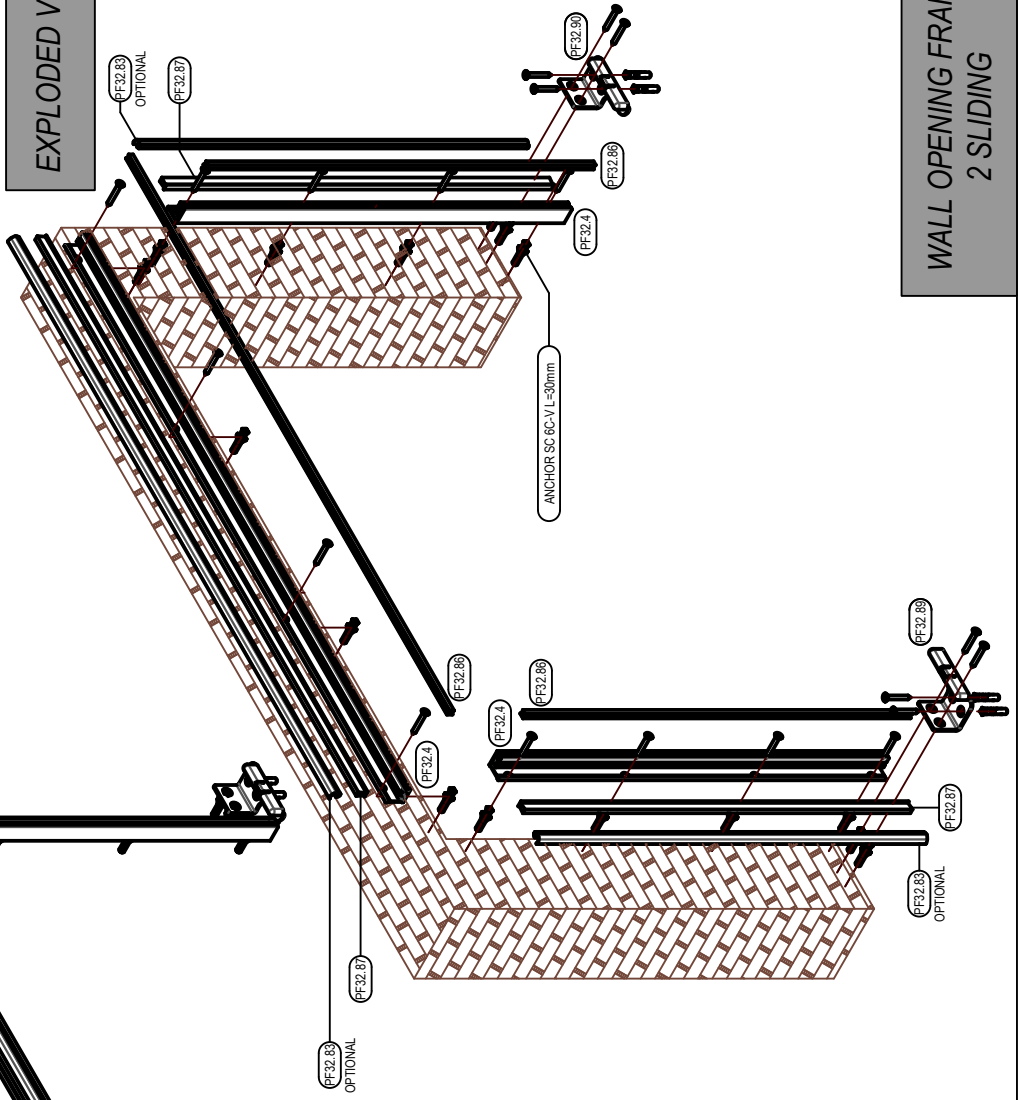
EXPLODED VIEW

PREPARATION TO BE EXECUTED ON SITE

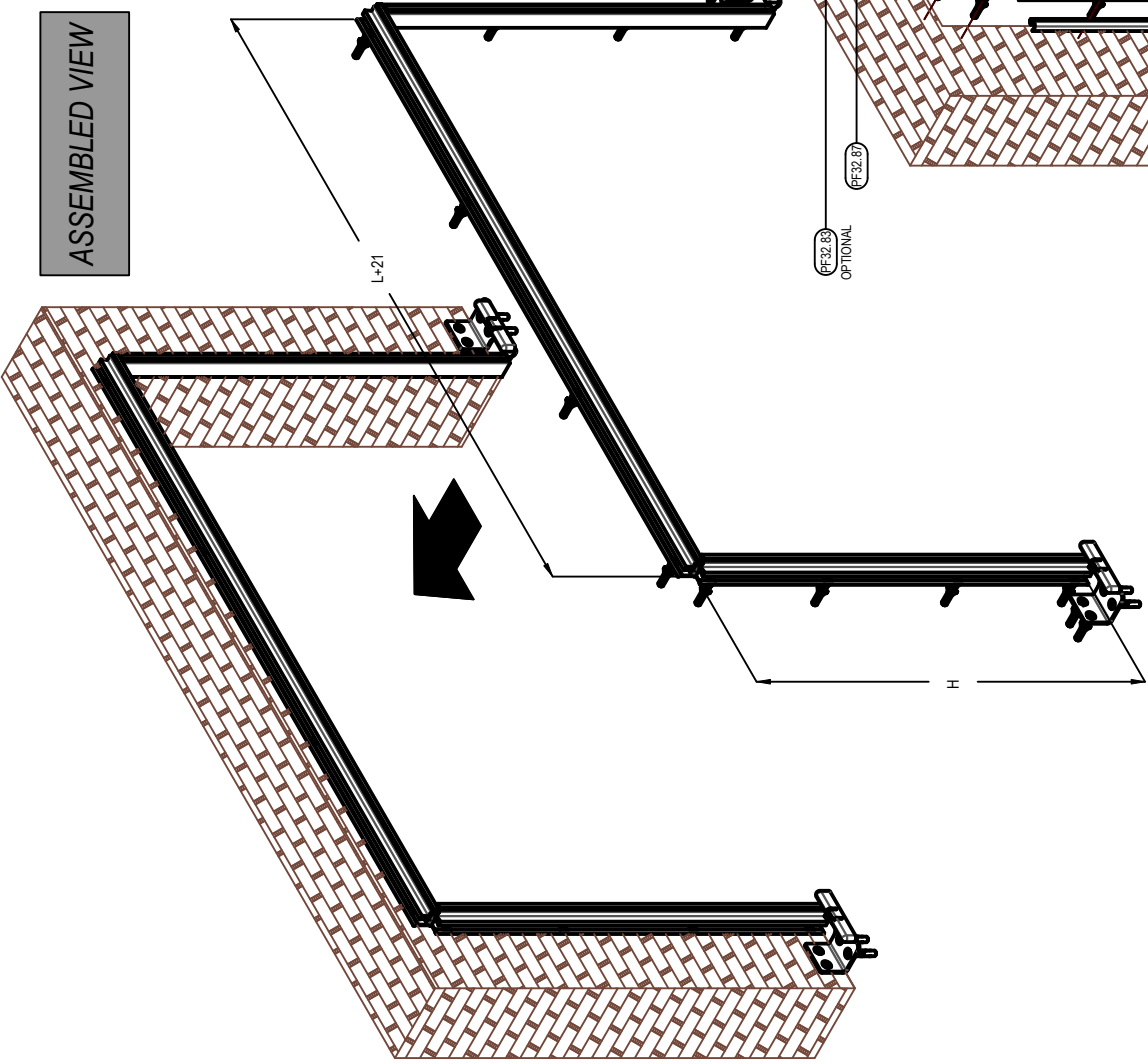
LUP

WALL FRAME FOR WING OPENING LEFT  
OPPOSITE FOR WING OPENING RIGHT

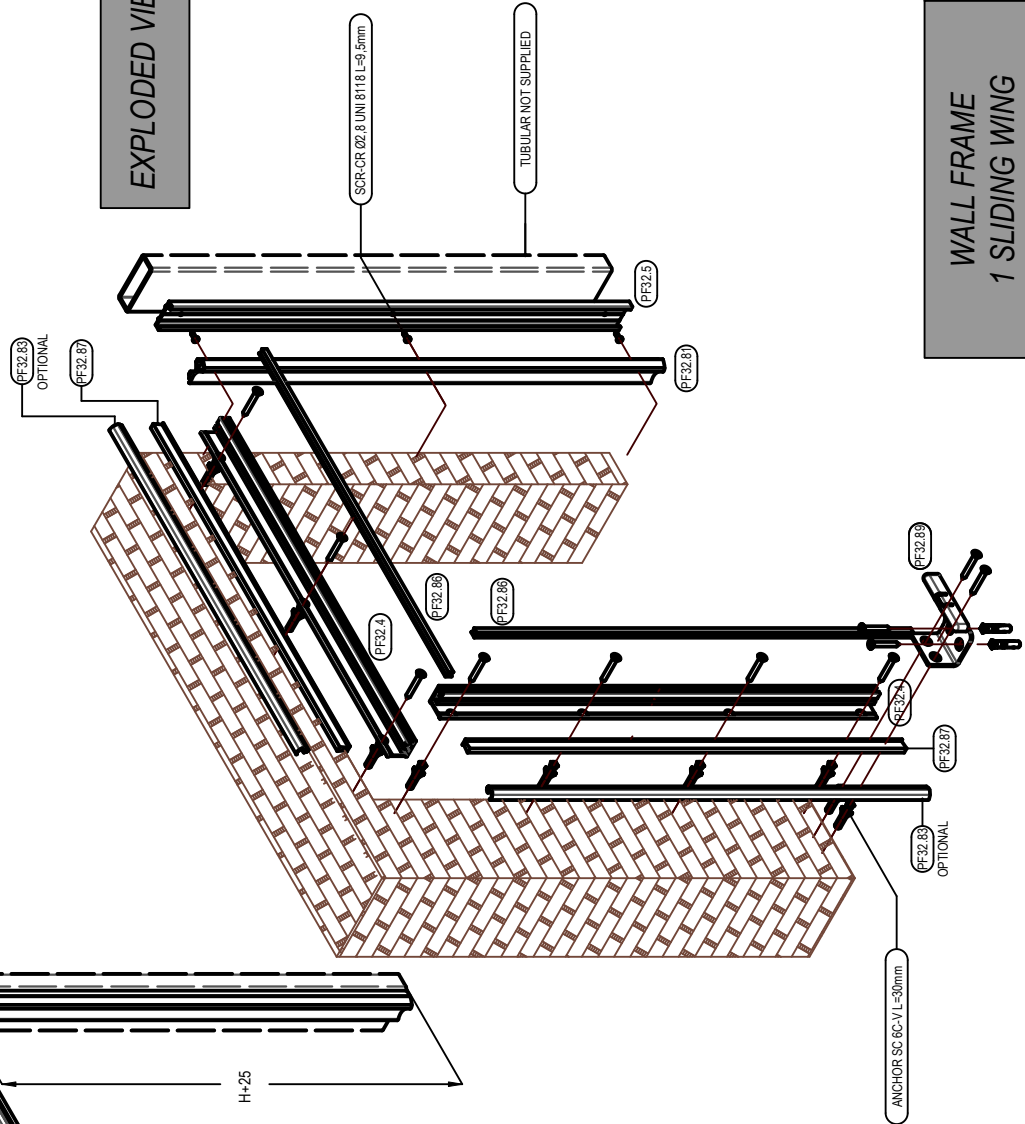
EXPLODED VIEW



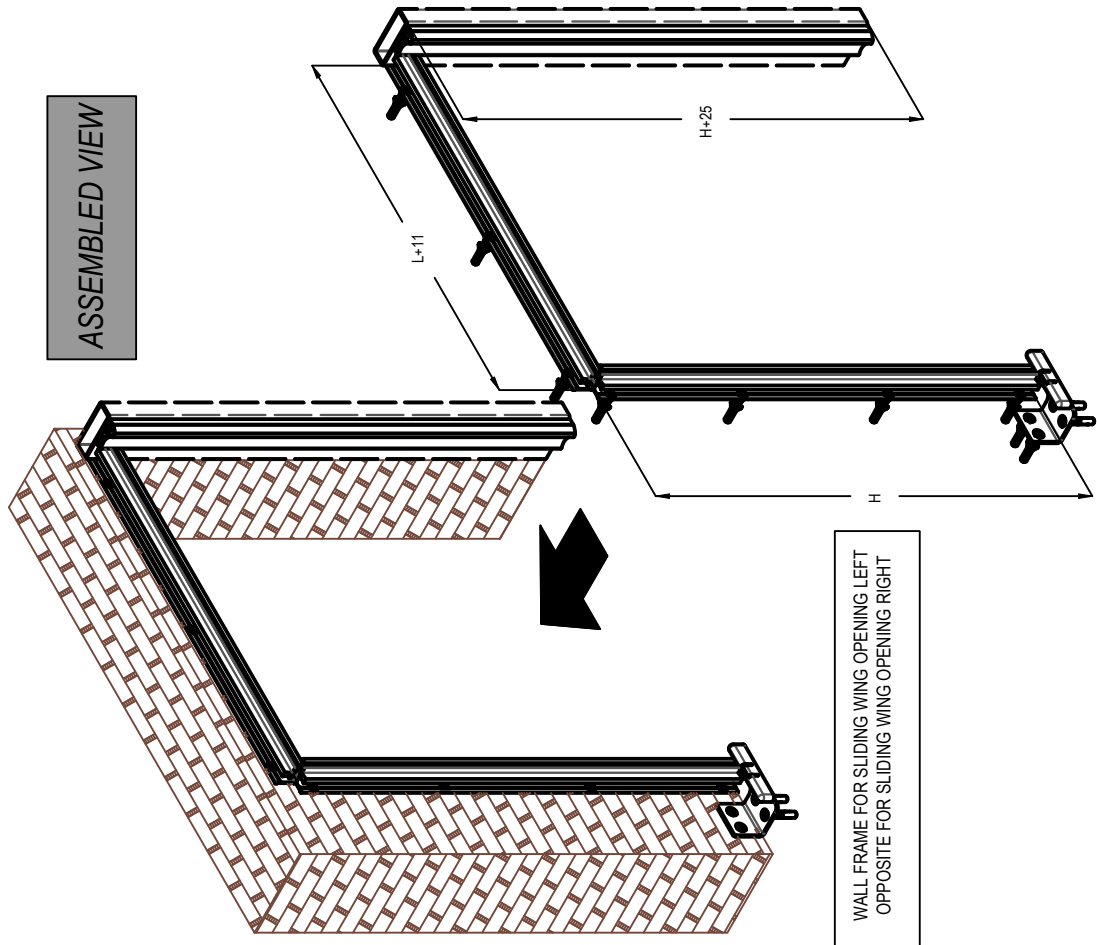
ASSEMBLED VIEW



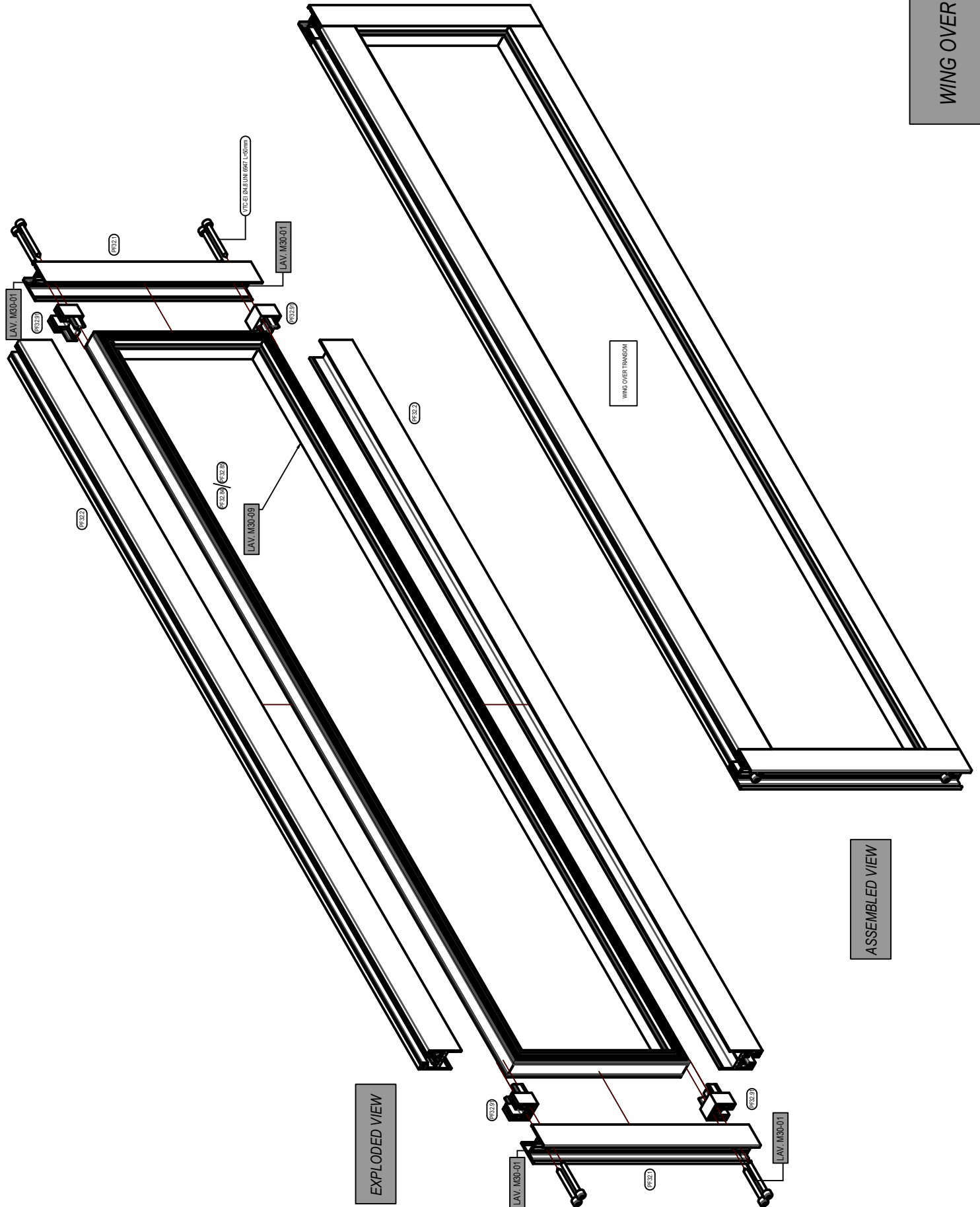
EXPLODED VIEW



ASSEMBLED VIEW

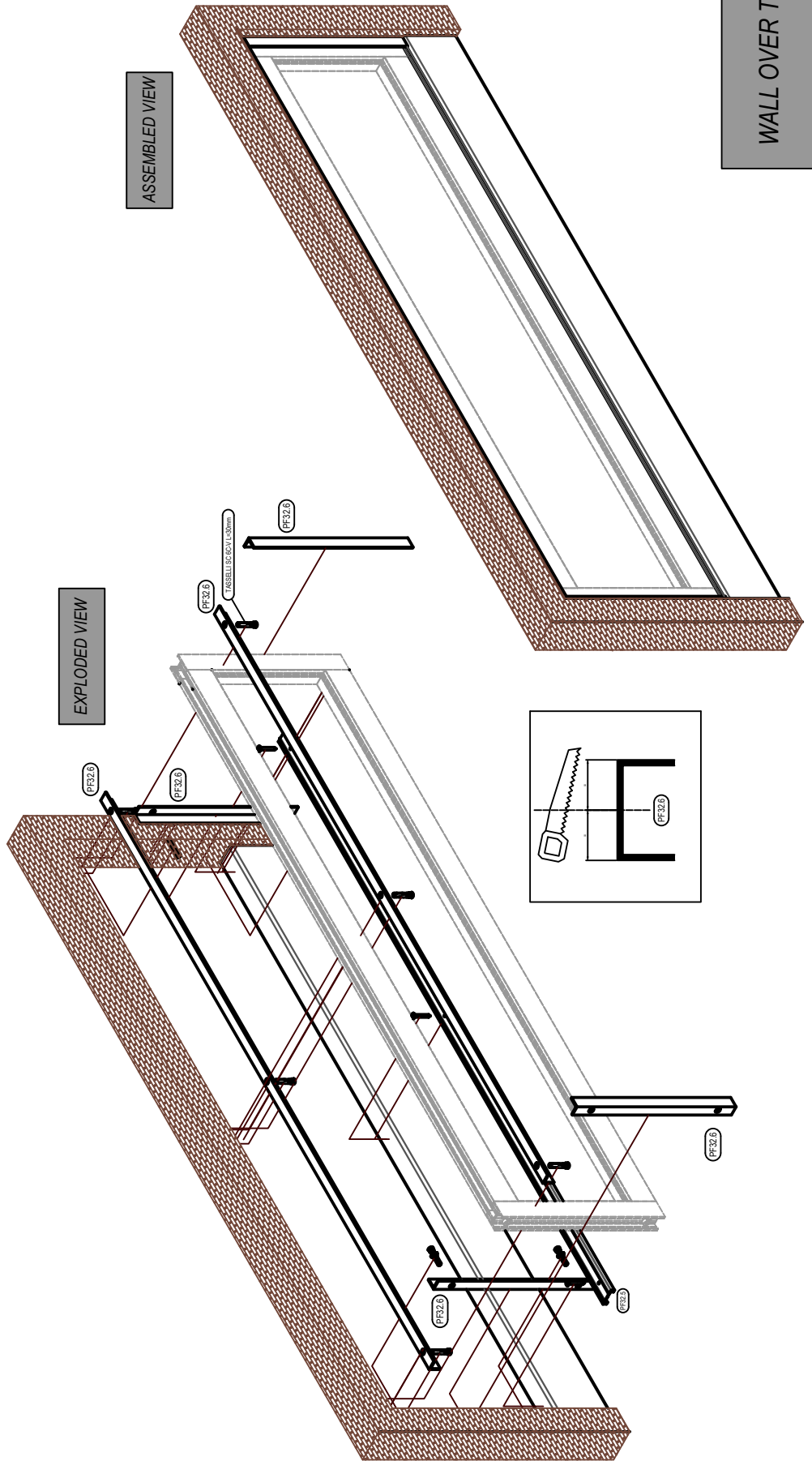
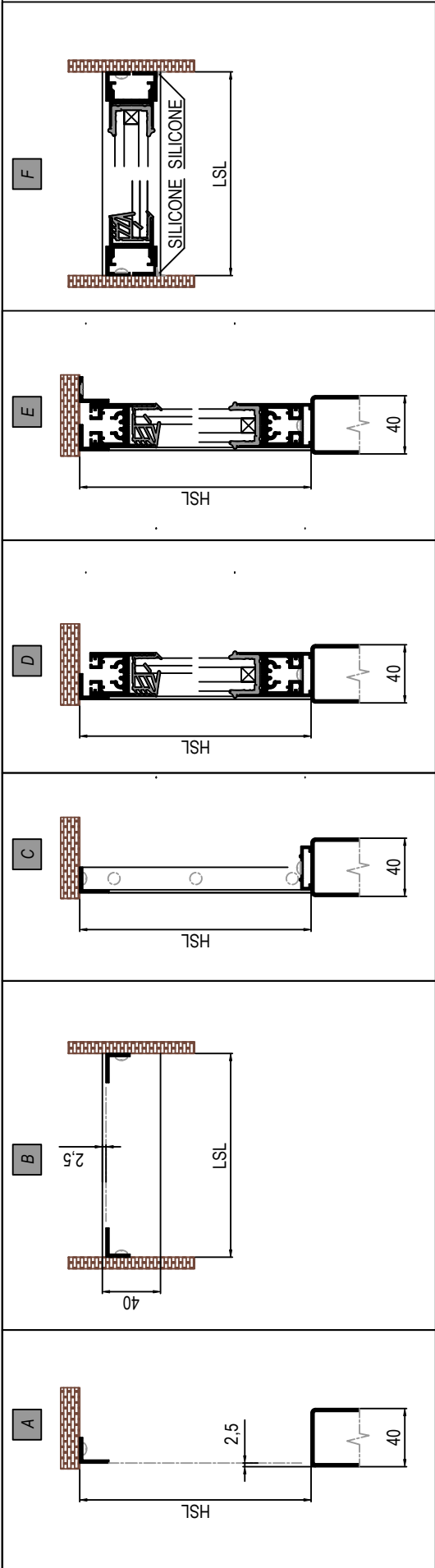


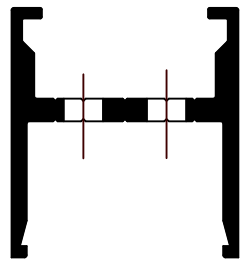
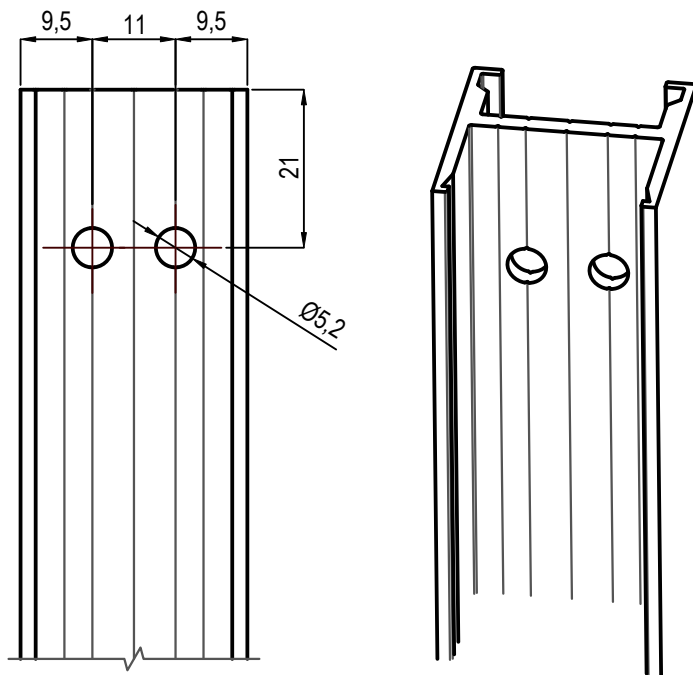
WALL FRAME FOR SLIDING WING OPENING LEFT  
OPPOSITE FOR SLIDING WING OPENING RIGHT



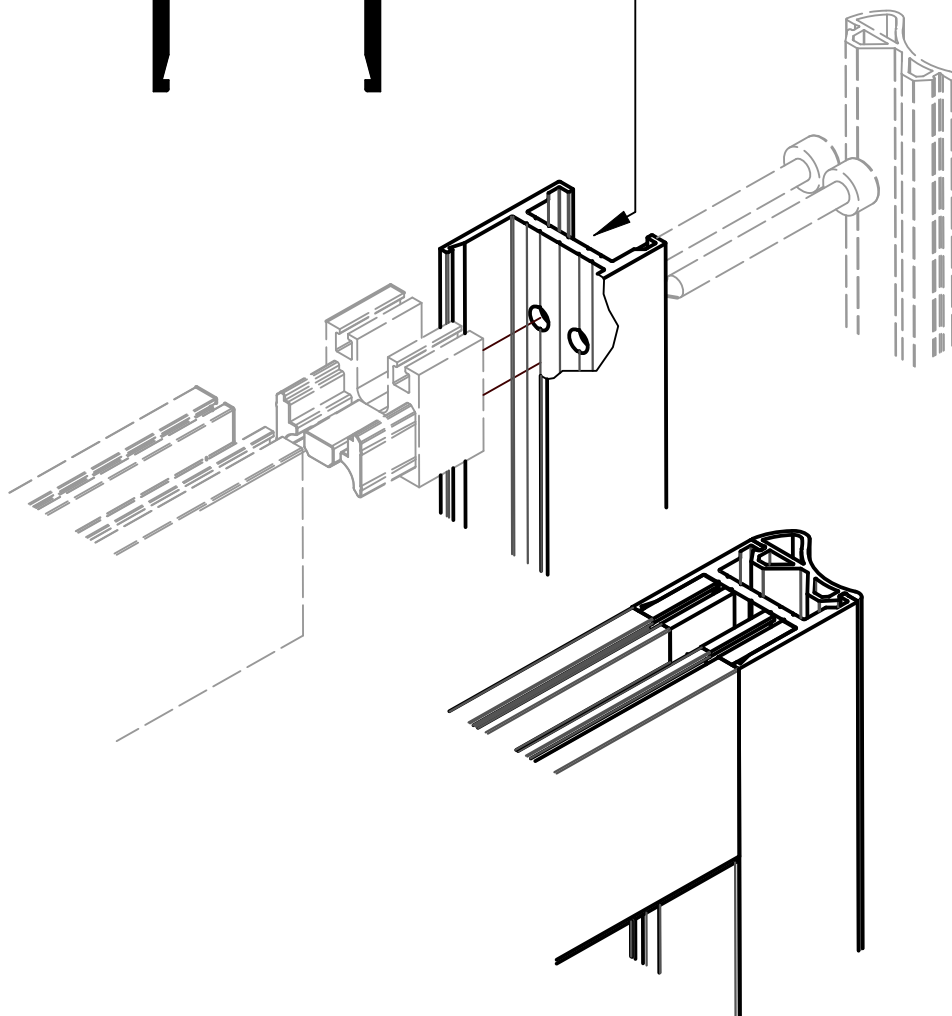
EXPLODED VIEW

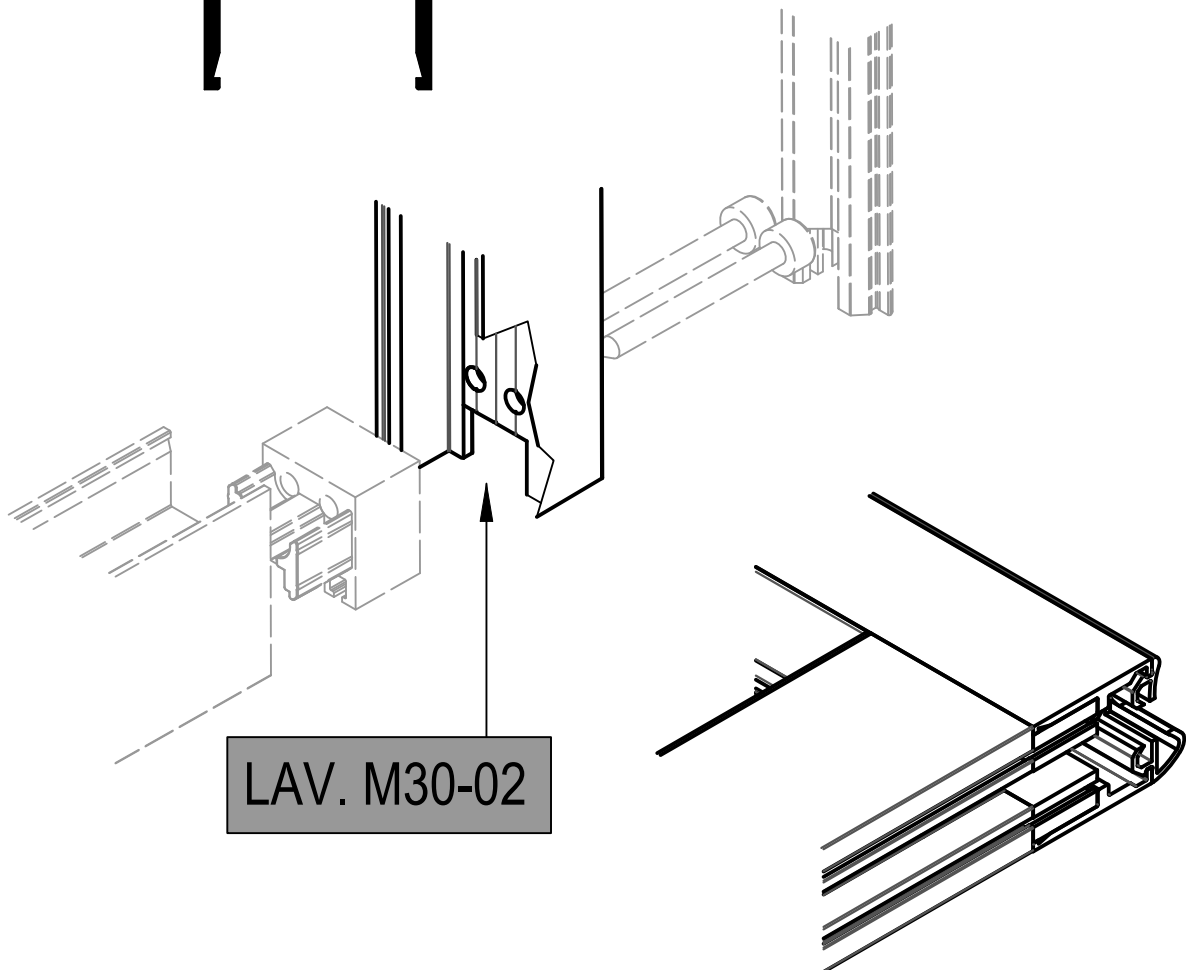
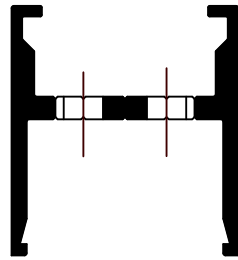
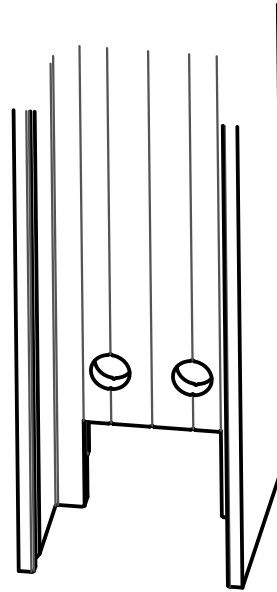
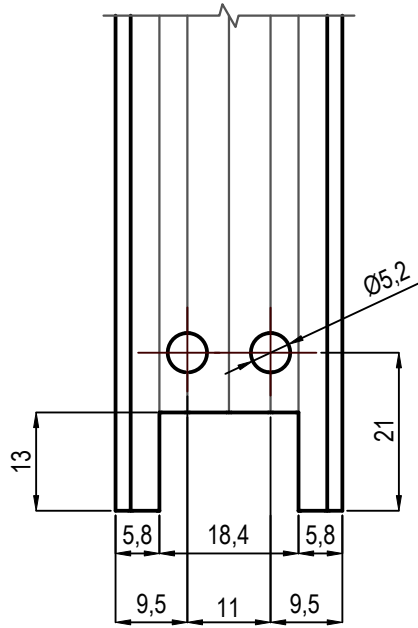
ASSEMBLED VIEW





LAV. M30-01



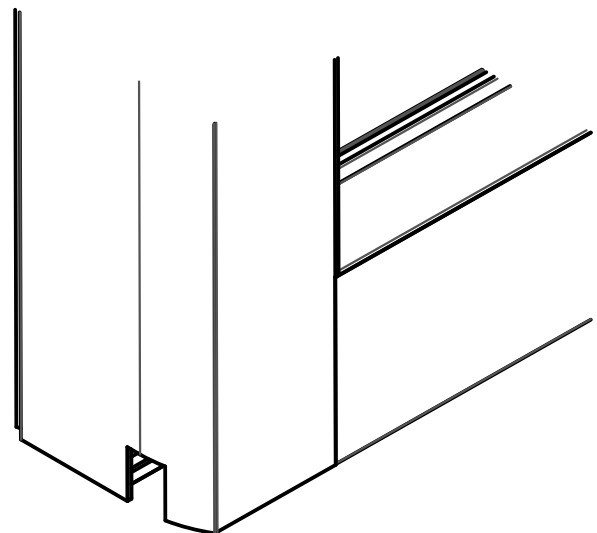
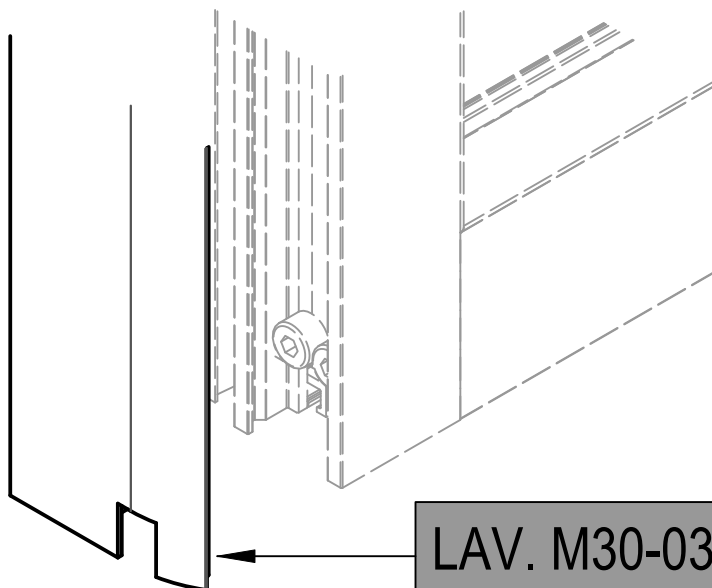
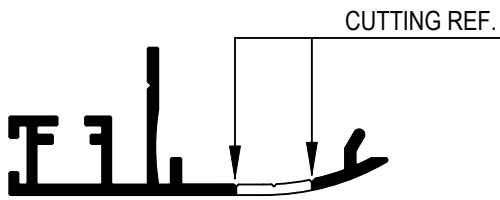
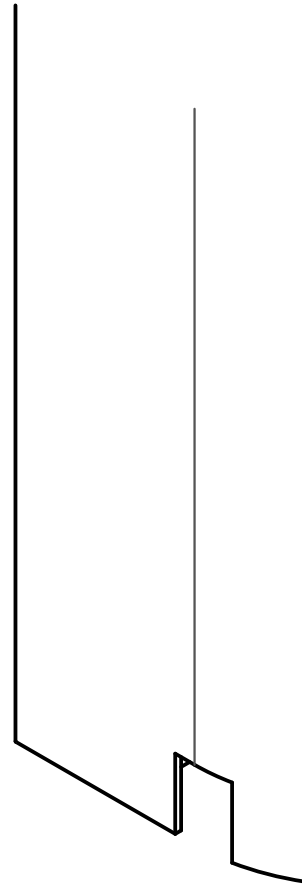
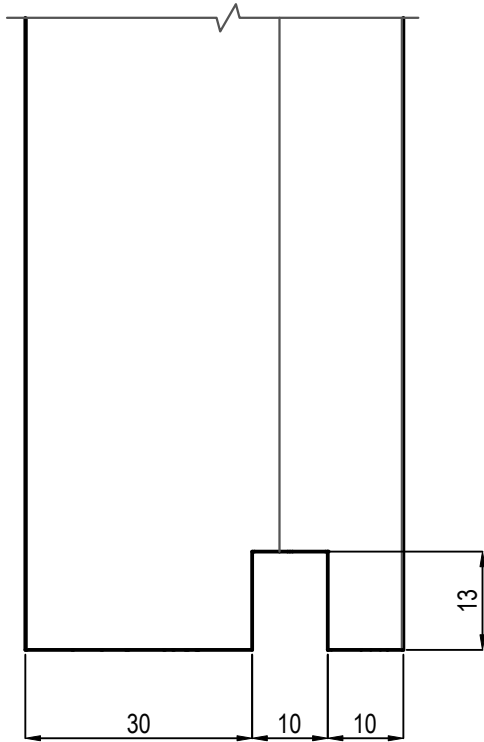




M30-03 SCALE 1:1

LABYRINTH PF32.3

VALID SLIDING WING OPENING LEFT,  
OPPOSITE FOR SLIDING WING OPENING RIGHT



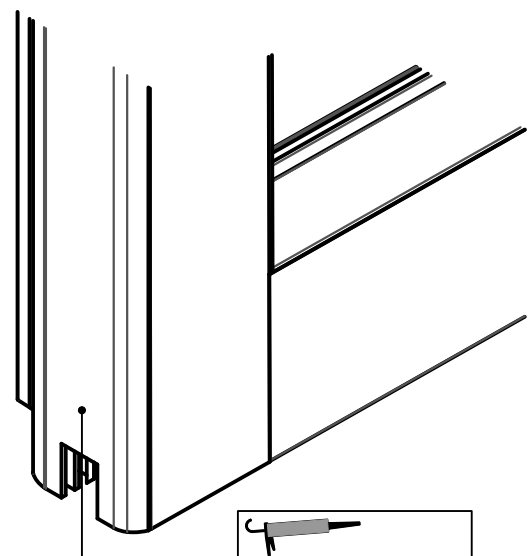
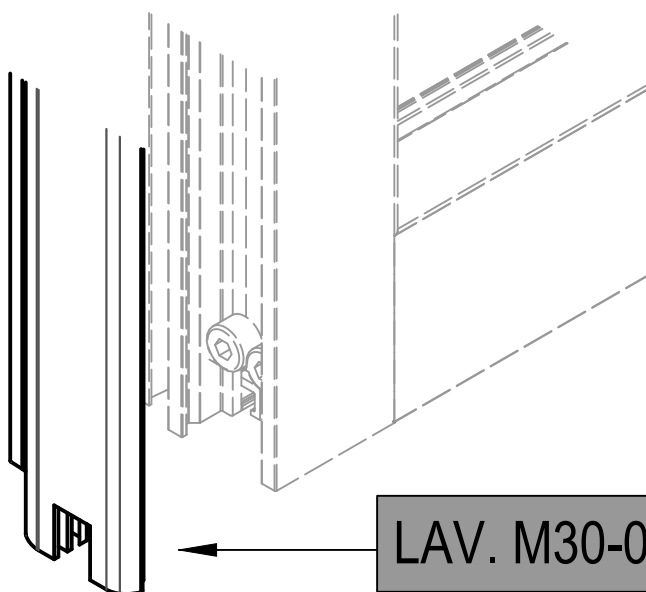
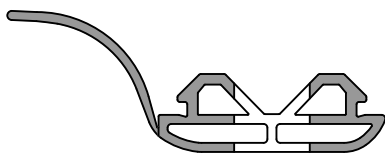
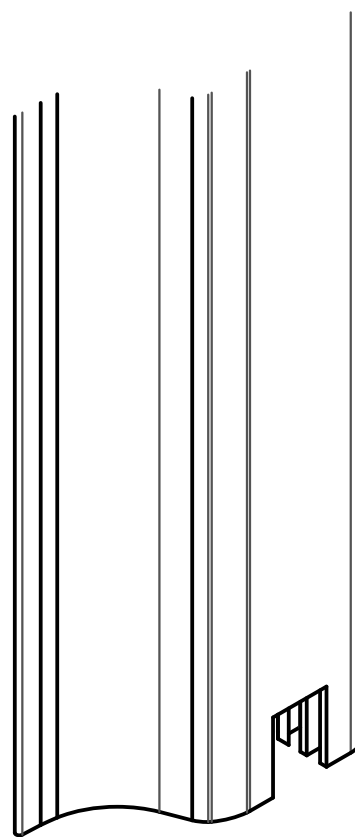
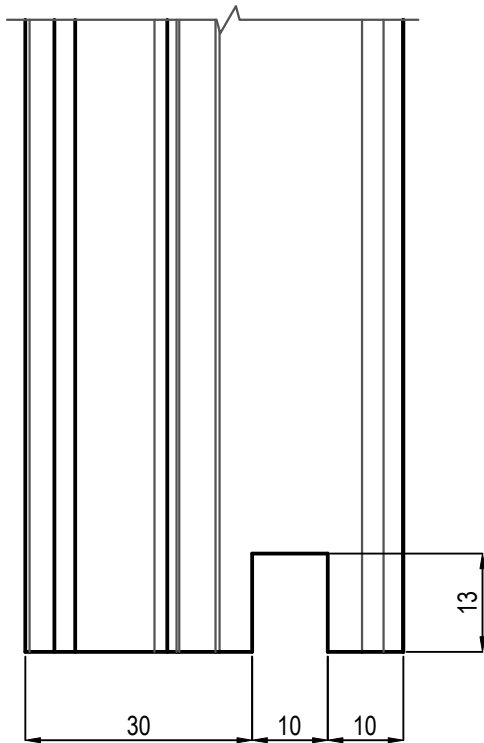
LAV. M30-03



M30-03 SCALE 1:1

GASKET FOR  
LABYRINTH PF32.82

VALID FOR SLIDING WING OPENING LEFT,  
OPPOSITE FOR SLIDING WING OPENING RIGHT



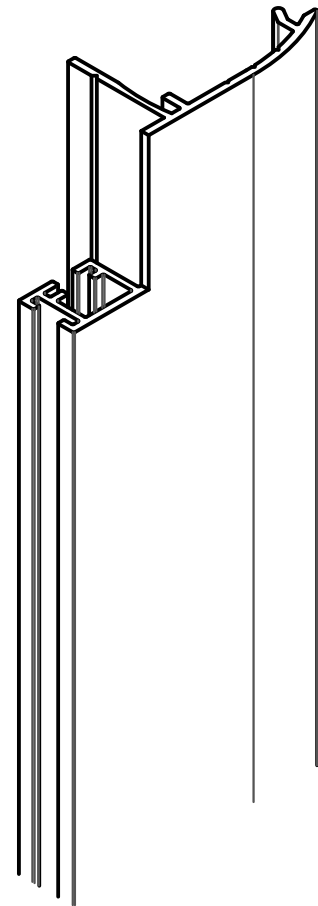
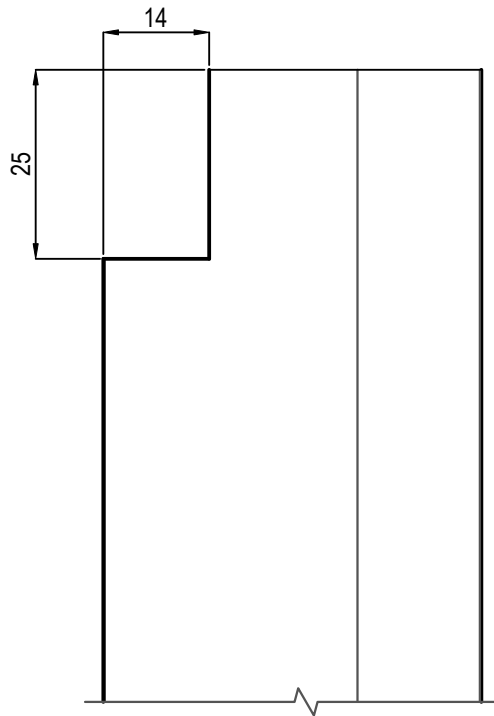
WE SUGGEST TU USE  
ADHESIVE CYANOACRYLATE



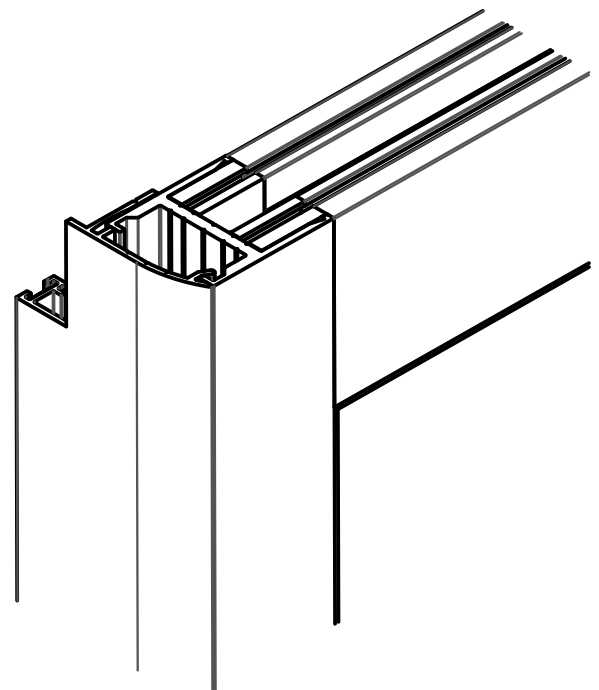
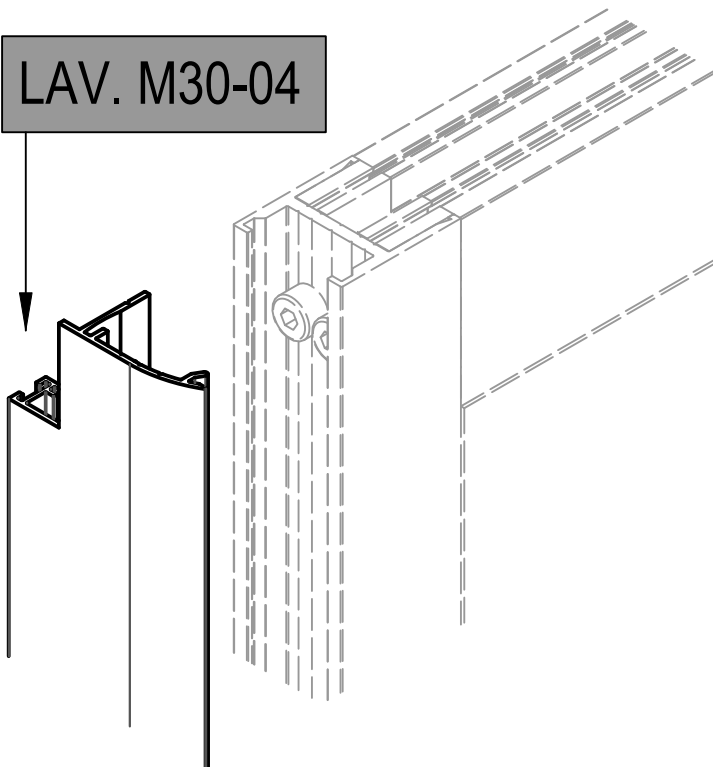
M30-04 SCALE 1:1

LABYRINTH PF32.3

VALID FOR SLIDING WING OPENING LEFT,  
OPPOSITE FOR SLIDING WING OPENING RIGHT



LAV. M30-04

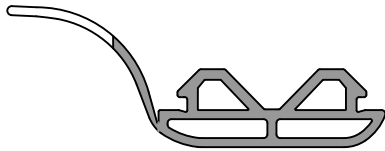
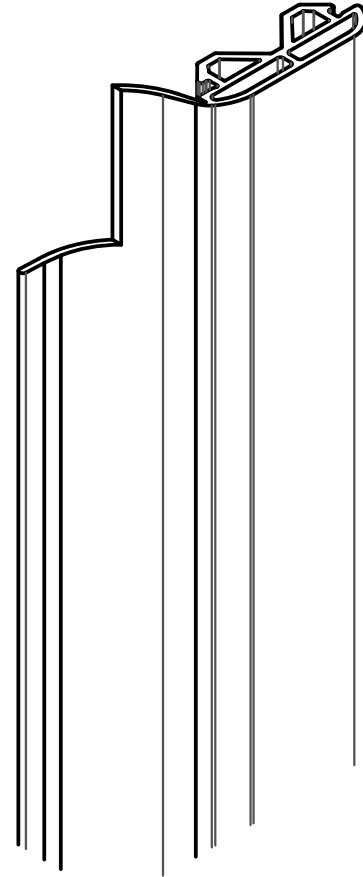
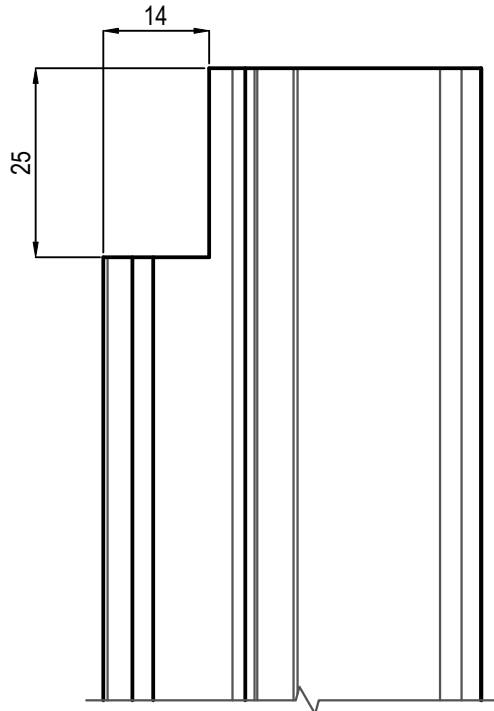




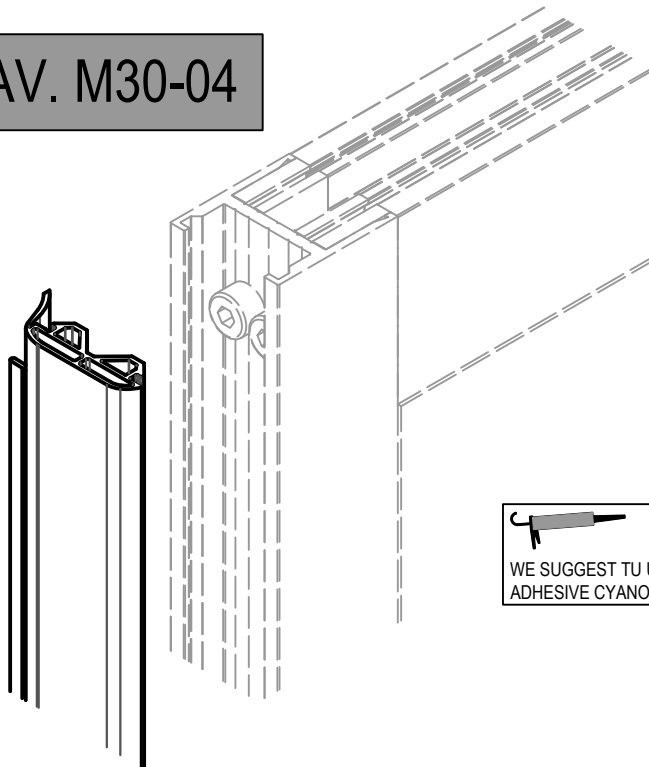
M30-04 SCALE 1:1


GASKET FOR  
LABYRINTH PF32.82

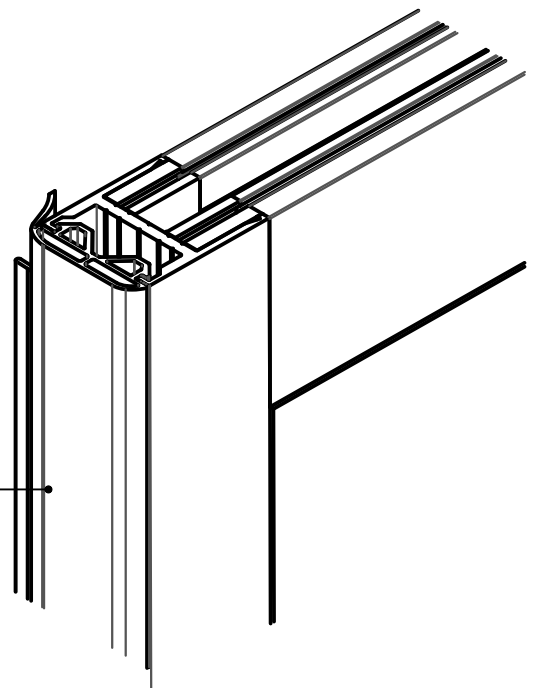
VALID FOR SLIDING WING OPENING LEFT,  
OPPOSITE FOR SLIDING WING OPENING RIGHT

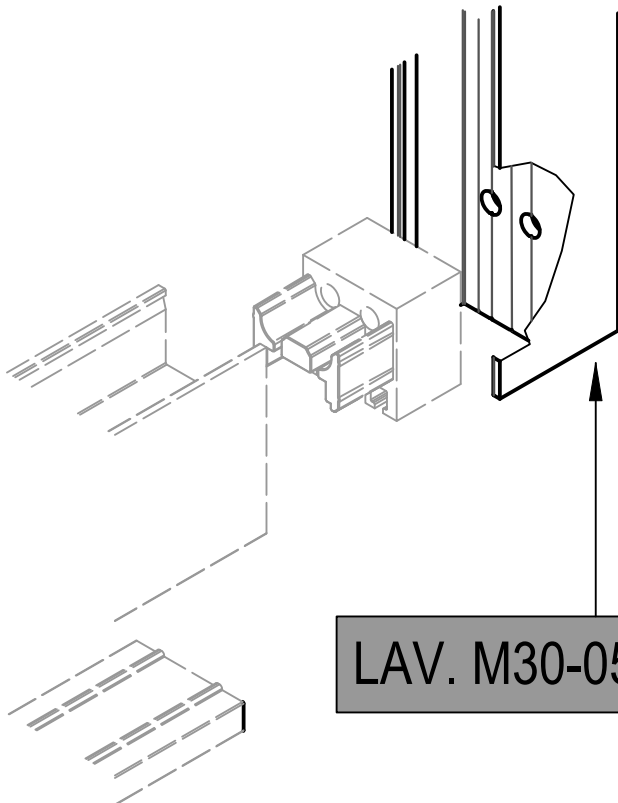
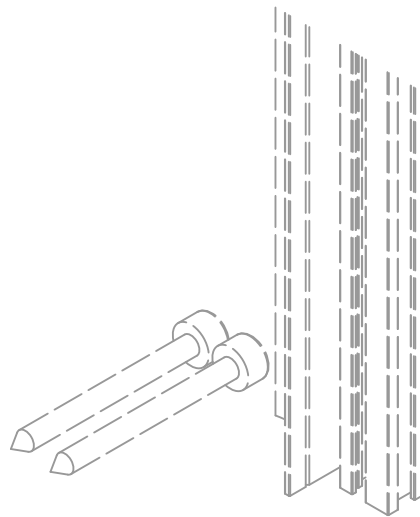
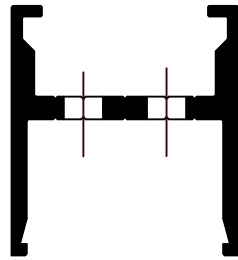
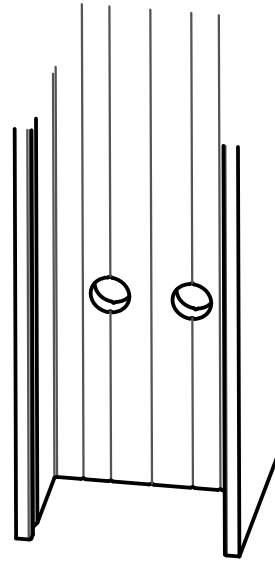
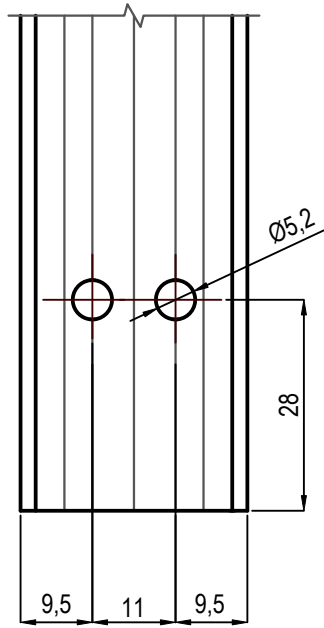


LAV. M30-04

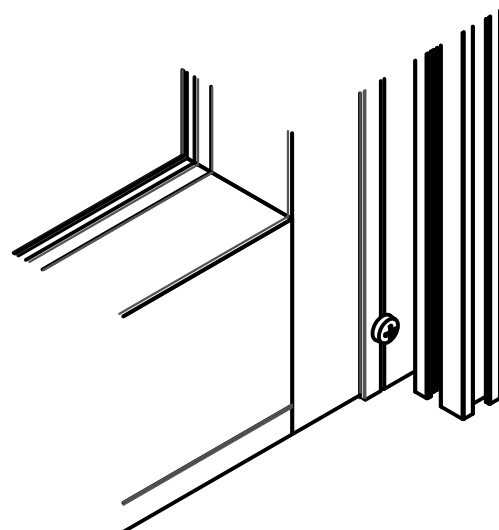


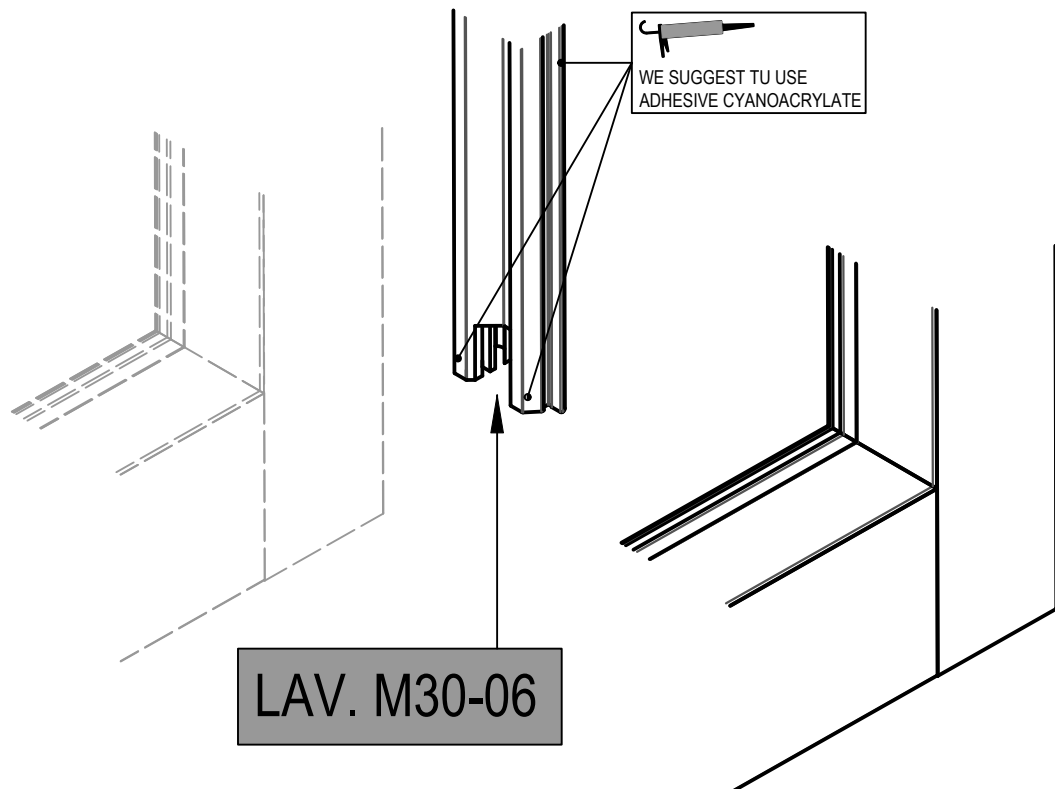
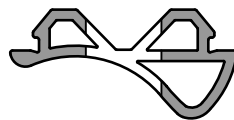
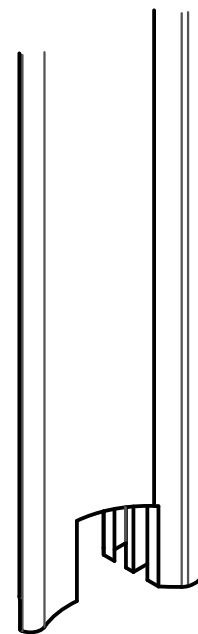
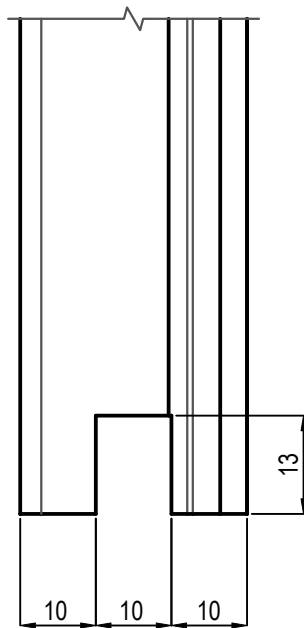
  
WE SUGGEST TU USE  
ADHESIVE CYANOACRYLATE



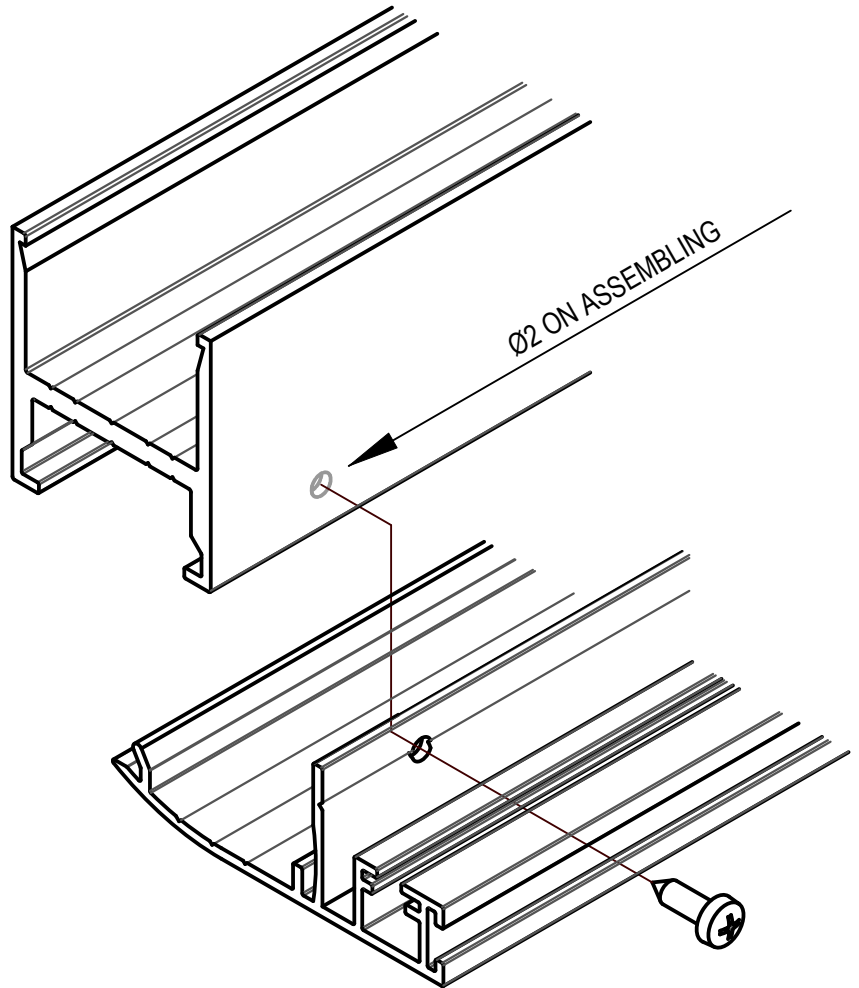
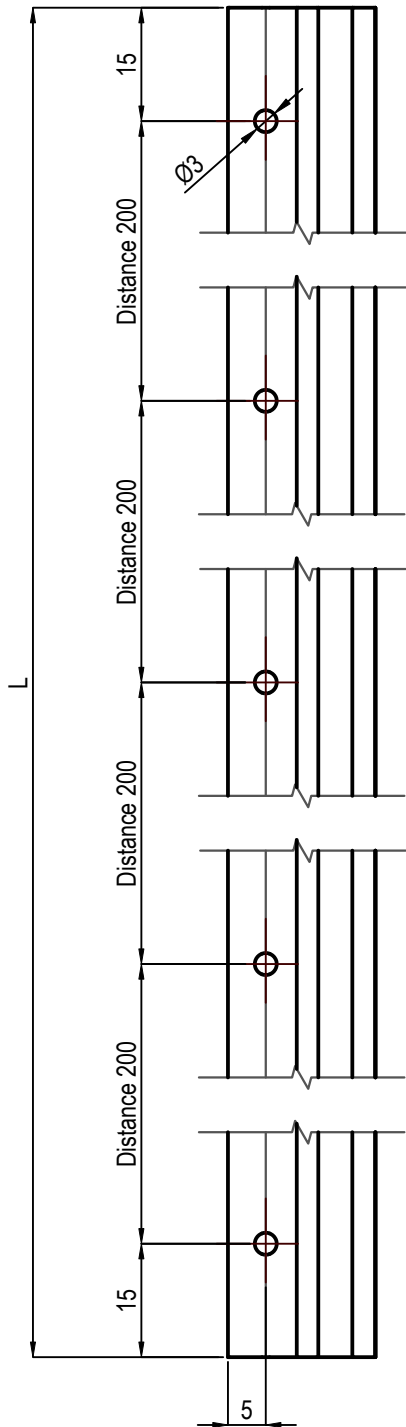


LAV. M30-05

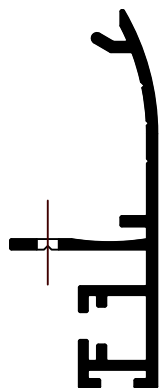




LAV. M30-06

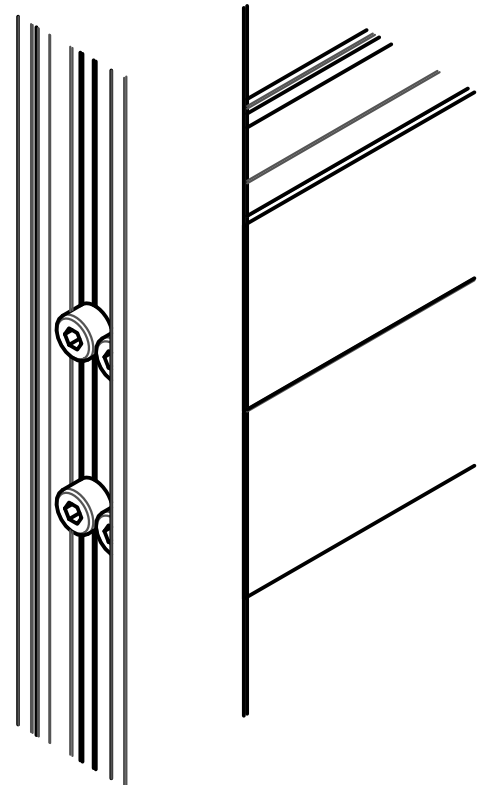
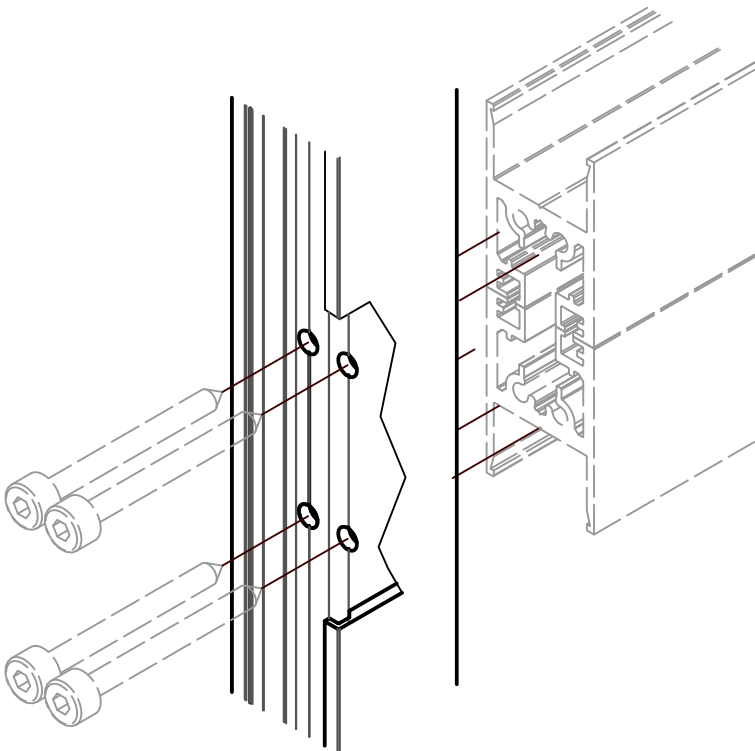
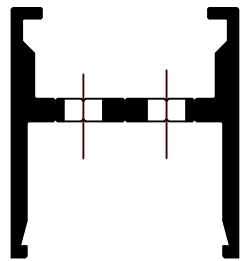
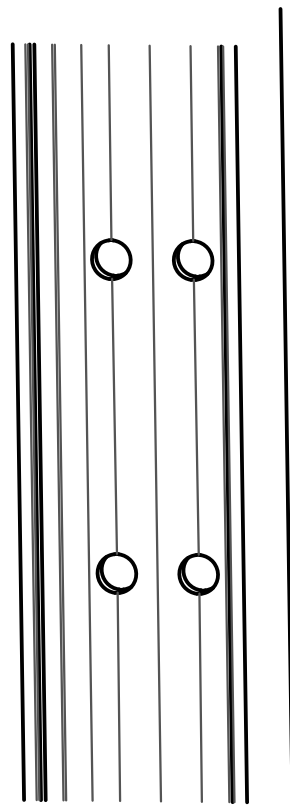
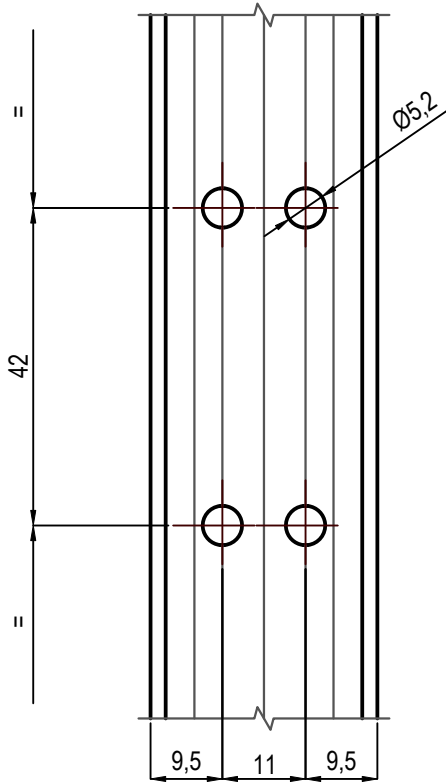


COUPLING BETWEEN LABYRINTH AND UPRIGHT:  
 - SLIDING WING  
 - FIX WING  
 - WALL OPENING FRAME





M30-08 SCALE 1:1



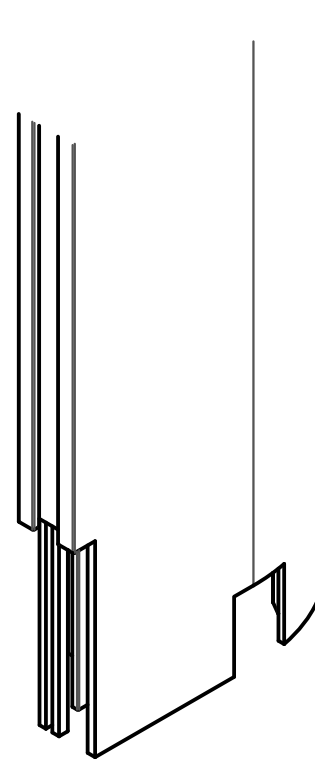
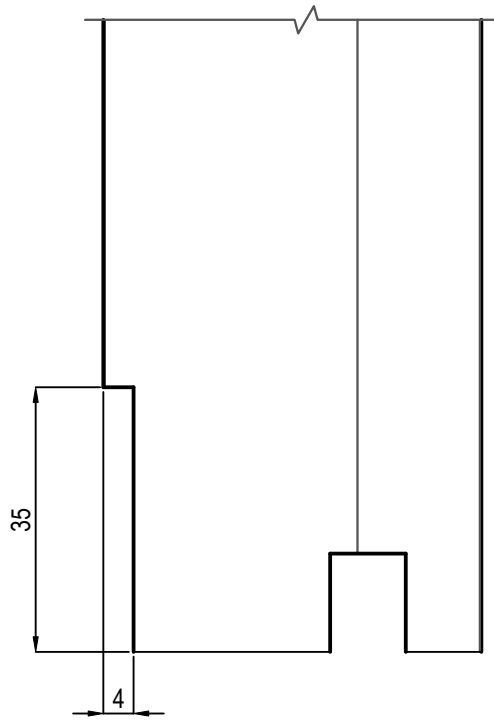




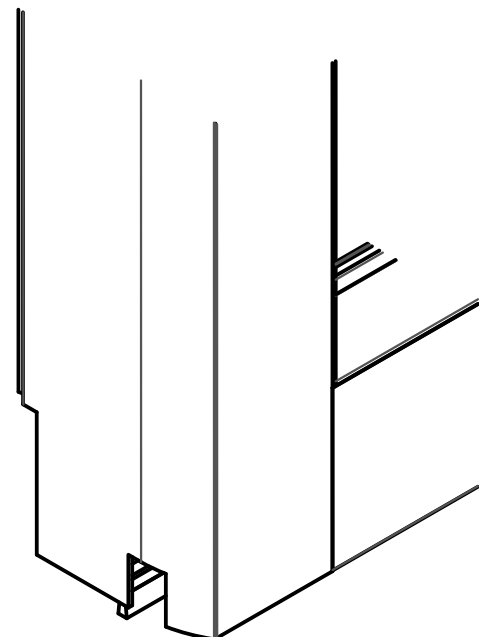
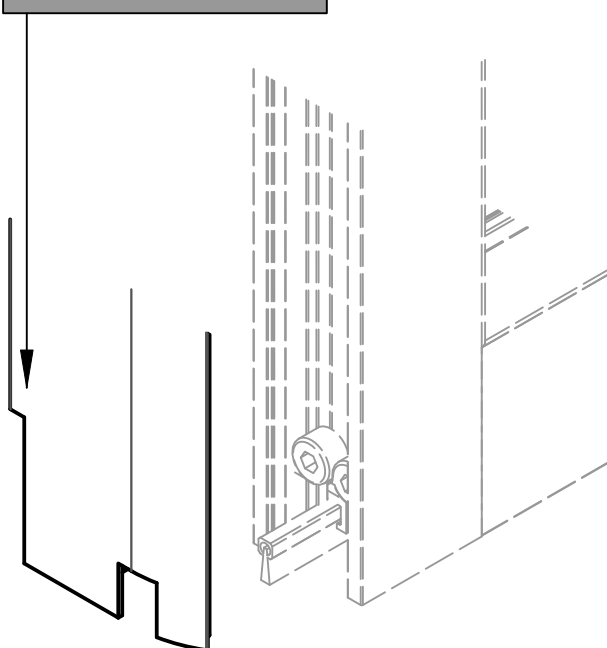
M30-10 SCALE 1:1

LABYRINTH PF32.3

VALID FOR SLIDING WING OPENING LEFT,  
OPPOSITE FOR SLIDING WING OPENING RIGHT



LAV. M30-10

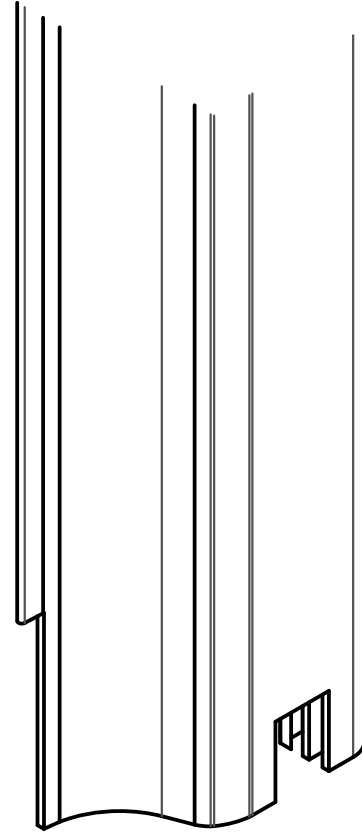
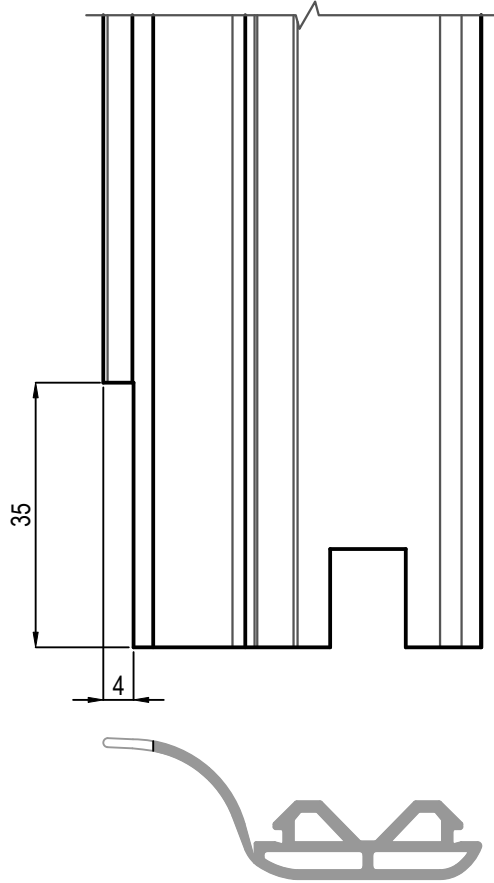




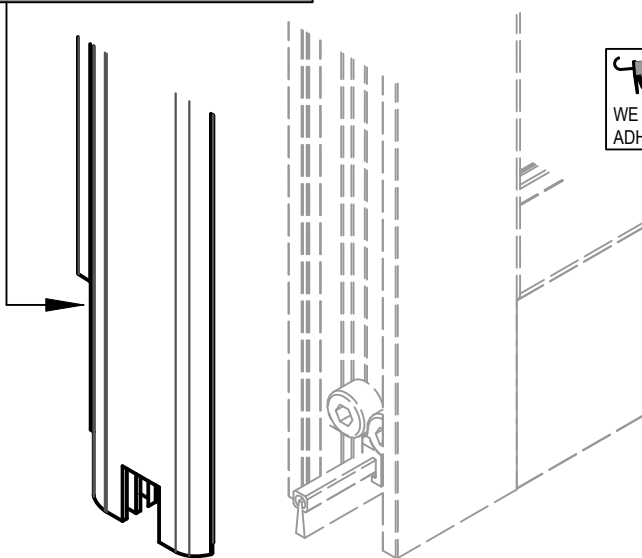
M30-10 SCALE 1:1


GASKET FOR  
LABYRINTH PF32.82

VALID FOR SLIDING WING OPENING LEFT,  
OPPOSITE FOR SLIDING WING OPENING RIGHT



LAV. M30-10



  
WE SUGGEST TU USE  
ADHESIVE CYANOACRYLATE

