

SWING DOOR OPERATORS



Sesamo presents its complete range of **electromechanical operators** for swing doors made to cover all fields of application thanks to the **various possibilities of configurations**, even in Low Energy.

Our operators are suitable for automating **internal and external doors, single or double leaf**. They ease the entrances into **hospitals, shops, hotels** and barrier-free applications.



STATE OF THE ART AUTOMATIONS



The research and development of innovative and sustainable technical-constructive solutions are a determining factor for the realization of **Sesamo** products. Thanks to their ductility, power, mechanical solidity and sophisticated electronics, **Sesamo** operators guarantee constant operation in any type of situation. **Sesamo** guarantees an optimal solution for any type of entrance: for interior doors with low traffic intensity, for special applications (e.g. low energy, free-barrier, etc..) or for entrances with high traffic intensity and heavy use in shopping centers, airports, hospitals and pharmaceutical environments.



The weight reduction, the pre-drilled base plate and the reduced number of components of Sesamo swing door operators, allow an easy, fast and intuitive installation.



Thanks to the high power of their gearmotors, the solidity of the components and the use of sophisticated motion control managed by the microprocessors of the main board, Sesamo operators guarantee reliable operation even in situations of strong wind or contrary pressure. An innovative algorithm contained in the firmware developed by **Sesamo** to control the position of the door and supported by an encoder at high resolution allow a perfect movement even in extreme situations. The particular "anti-wind" function developed by **Sesamo** and present in the model **Proswing S** makes possible the installation even in critical conditions, windy areas or pharmaceutical plants with high pressure gradients, ensuring correct operation thanks to the torque level expressed by the motor.

	PROSWING	SMARTPRO	SWINGO
Weight			
Life duration	3 mil. cycles 	1 mil. cycles 	1 mil. cycles
Torque/Power			
Spring			
Wind resistance			
Application	Any 	Many 	Internal doors



SWINGO



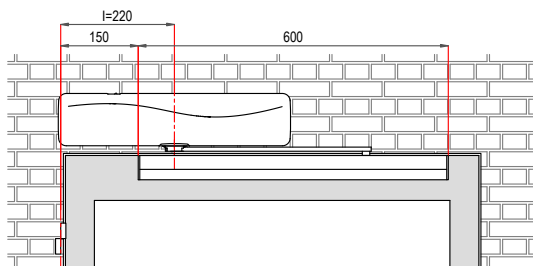
Swingo combines a refined and innovative design with a natural strength and is perfect for use on interior doors. The integrated safety device patented by Sesamo is important and reliable, designed to preserve the gears and engine in the event of collisions. Appropriate choices of materials and use of the most advanced technological solutions reduce vibrations and the transmission of noise, these make its operation extremely silent.

The electronics provide the installer with the necessary tools to obtain the possibility of customization or diagnosis during maintenance. Thanks to its small dimensions and its harmonic

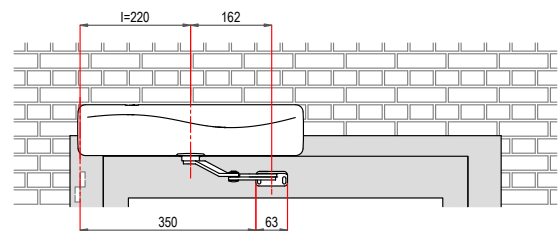
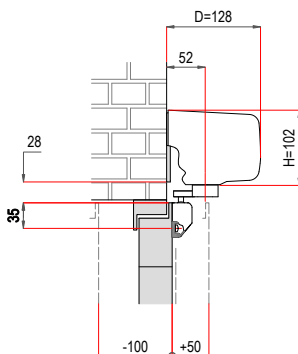
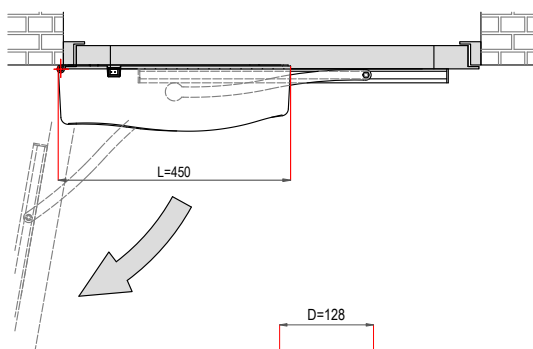
design **Swingo** appears to be compatible with multiple application:

- Silence, sophisticated design and with a small dimension suitable for residential use
- Available with cover Black or Silver grey colors
- It can be set as "Low Energy": reduced speed for barrier-free applications
- Integrated emergency battery back up to guarantee continuity of operation in the event of a power failure

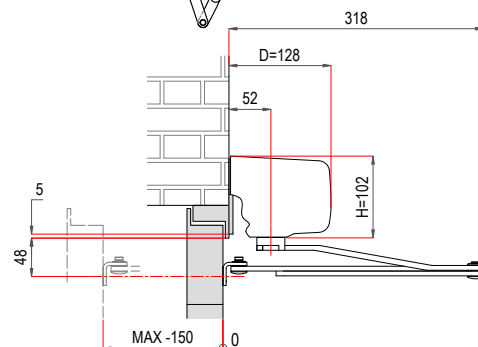
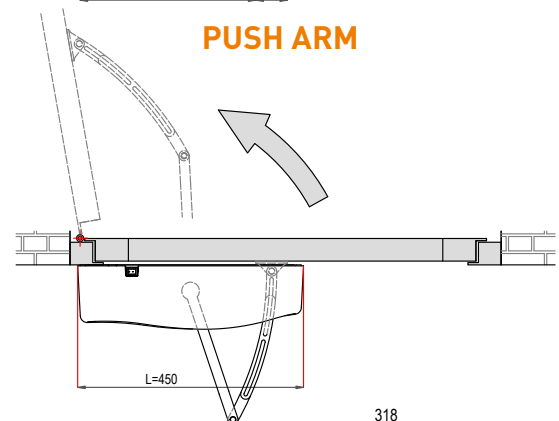
INSTALLATION WITH PULL OR PUSH ARM



PULL ARM



PUSH ARM





smartPRO



Swing door operator designed to simplify the installation and commissioning as much as possible.

The innovative core of the operator is represented by the transmission, consisting of the gearmotor already used with excellent quality results in other **Sesamo** operators, combined with a single reduction stage gearbox patented by **Sesamo**, which is innovative compared to all competing products, made by a roller chain with sealed lubrication (self-lubricating).

This solution guarantees a long service life and no maintenance. The system is completed by a mechanical energy accumulator made with a special and innovative ribbon spring.

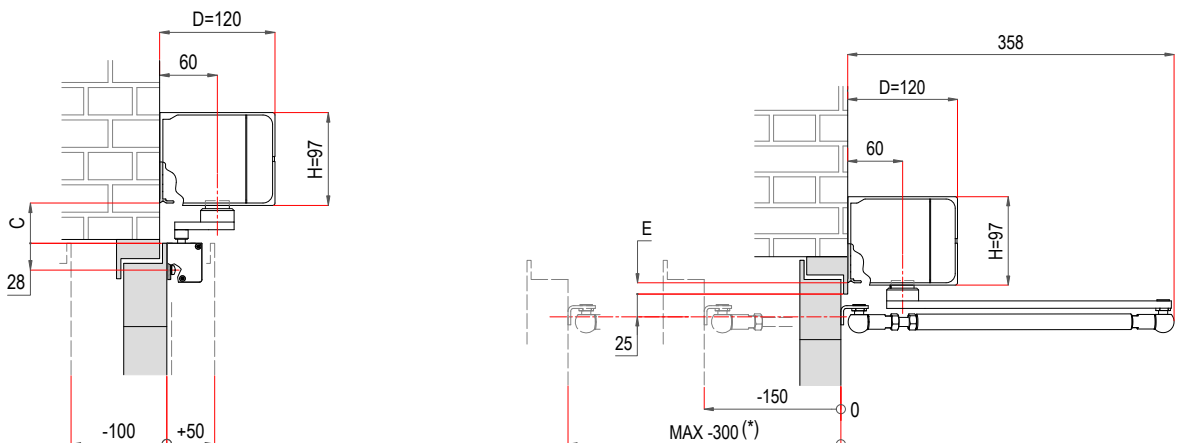
Special precautions during the design phase of the electronic control unit and power switching supply allow for reduced energy consumption when night mode is activated.

The particular shape of the side caps allows the positioning of the connection cover between the two operators without any additional accessories in the double wing. Thanks to its small size and straight and essential line **smartPRO** can be used in any type of entrance, even in the most demanding architectural solutions. The multiple possibilities of use provided by the microprocessor make this operator an

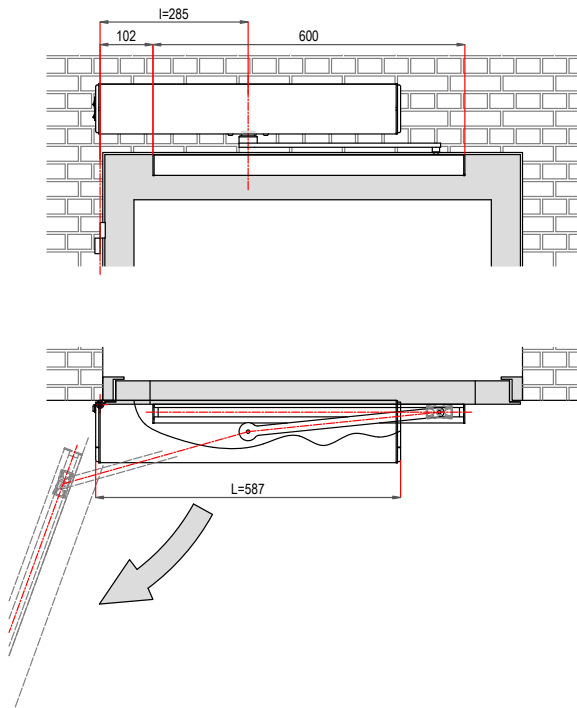
essential accessory for the motorization of most swing application and as an upgrade of existing manual doors.

- Possibility to use different types of electric locks with different power values
- High resistance harmonic steel spring with life more than one million complete opening / closing cycles
- Set-up and commissioning directly on the control board or with the external selector/ programmer
- Operation logics with different types of function selectors and in WiFi with Sesamo app
- Transmission system with self-lubricated and sealed maintenance free chain
- PUSH & GO and Interlock functions
- Ready for sensor in CAN-BUS
- ON/OFF switch and standard 3 mode switch on the side cap

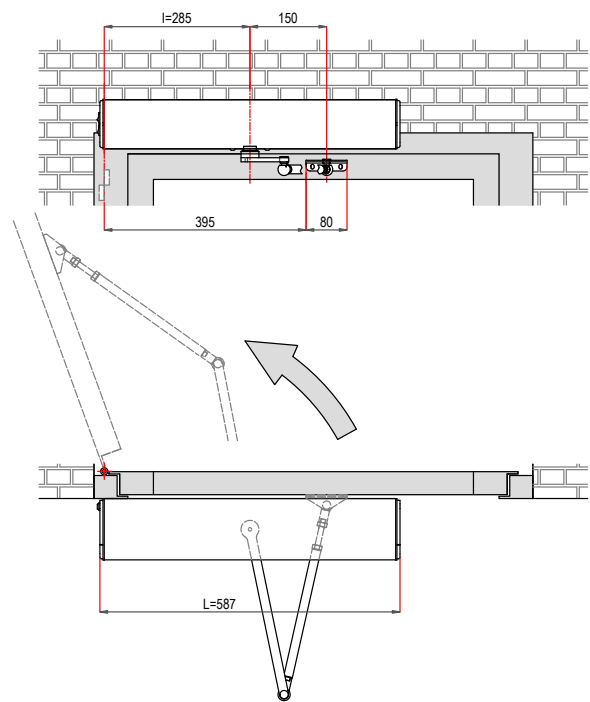
INSTALLATION WITH PULL OR PUSH ARM



PULL ARM



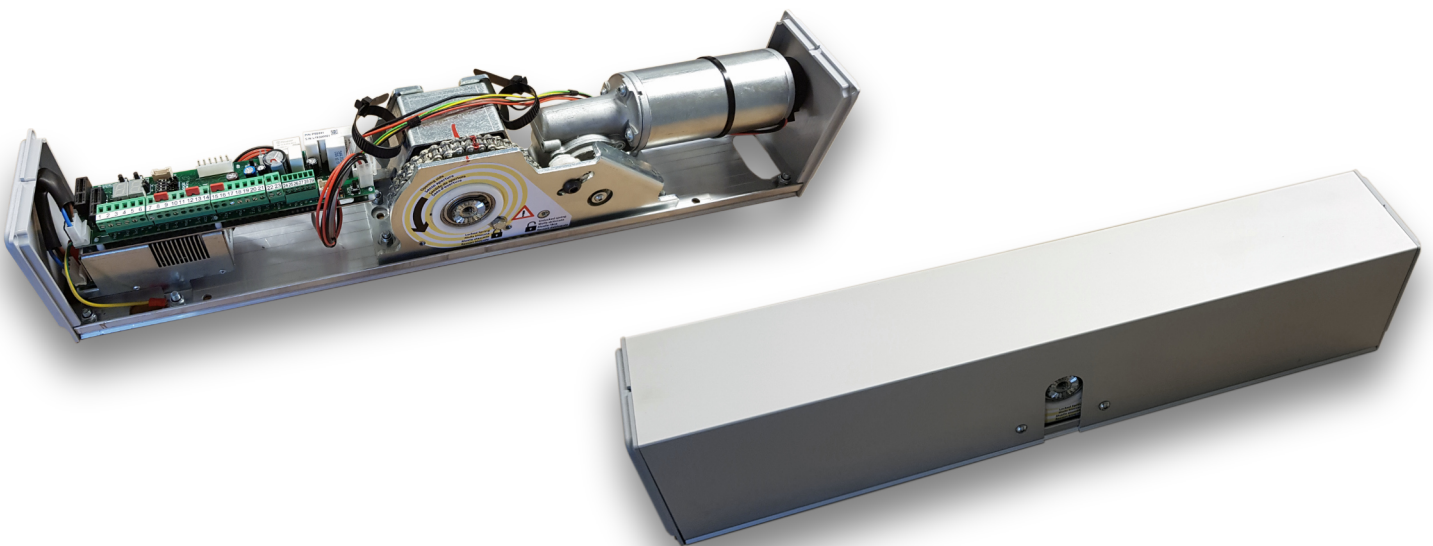
PUSH ARM



OPTIONS

SMARTPRO M - Opening and closing by motor.
Suitable for many type of entrances, versatile and powerful.

SMARTPRO S - Opening by motor and closing by spring. Suitable for many types of use, in case of power supply failure, the operator becomes a mechanical door closer.





PROSWING



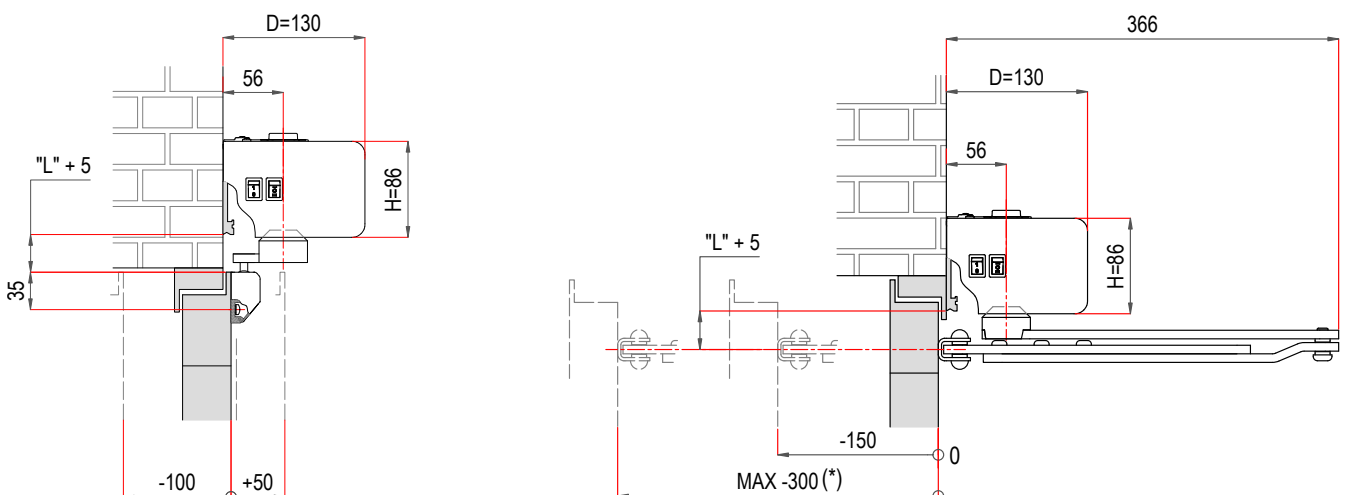
Proswing, the ideal operator for use in all conditions, great strength combined with a compact dimensional appearance. Suitable for large and heavy doors, easy to install and commissioning. It is equipped with a mechanical device that manages the spring closing force by increasing the thrust when the door is almost closed to ensure complete closure with any type of mechanical lock.

The design solutions adopted in **Proswing** are designed to ensure it works correctly even in extreme conditions such as in the presence of wind, very heavy wings or high pressure gradients without requiring the addition of electronic control boards for upgrades or other additional costs. The control board provides the installer with a wide choice of parameters and operating modes through quick and intuitive programming.

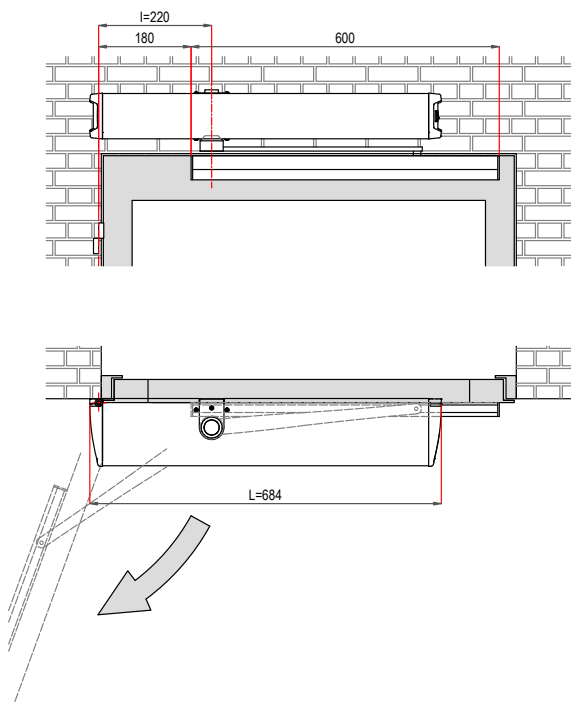
The use of surface hardened gears, an elastic coupling for shock absorption, a very high quality gearmotor, a controlled yielding spring with 3 million life cycles and an electronic control board that undergoes three testing cycles guarantee a **Proswing** a long life and reduced maintenance costs.

- Possibility of operation in "low energy" mode: reduced speeds and accelerations optimized for use by people with mobility difficulties, in accordance with current regulations
- PUSH & GO and interlock functions
- ON / OFF switch and standard 3-mode switch on the side cap
- Set up and commissioning directly on the control board
- High torque value
- Management of different types of electric locks / electromagnets
- Force recovery and adjustment cam device in the final closing phase to allow correct coupling with different types of locks
- Adjustments of the force values in opening and closing that allow use in various environmental conditions, in the presence of wind or in pressurized rooms
- Possibility of configuring 2 input signals and 2 auxiliary outputs on board

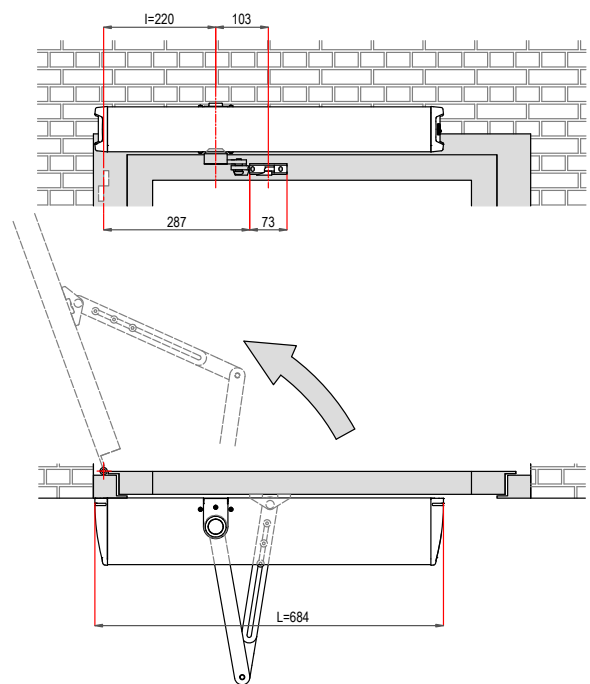
INSTALLATION WITH PULL OR PUSH ARM



PULL ARM



PUSH ARM



OPTIONS

PROSWING M - Opening and closing by motor.

Suitable for any type of entrances, versatile, strong and powerful.

PROSWING S - Opening by motor and closing by spring.

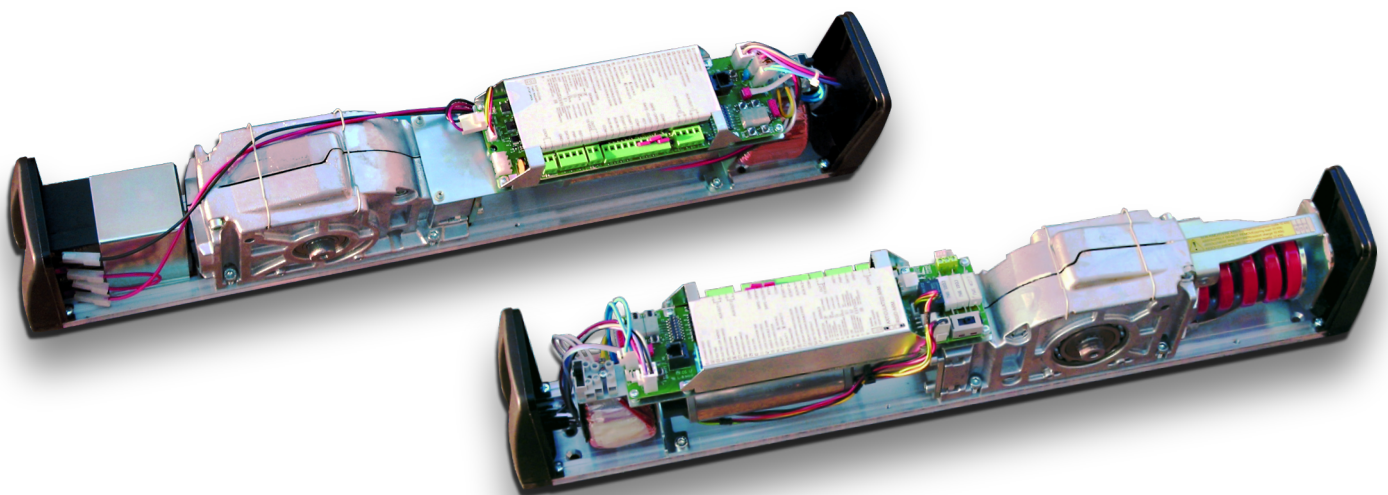
Suitable for any types of use, in case of power supply failure, the operator becomes a mechanical door closer.

PROSWING F - Automatism with integrated system that closes in case of fire/smoke alarm.

Anywhere an automatic barrier for fire and smoke is required, approvals for country specific directives and regulations must be followed. Operator tested according EN1634-1.

PROSWING R - Opening by spring, closing by motor.

Operator designed to open the door by spring for smoke extraction, in the event of fire, emergency when power failure.



Specifications	SWINGO	PROSWING M	PROSWING S	PROSWING F	PROSWING R	SMARTPRO M	SMARTPRO S
Height (mm)	102	86	86	86	86	95	95
Width (mm)	450	684	684	684	684	587	587
Depth (mm)	128	130	130	130	130	120	120
Weight of operator	6,7 Kg	10,50 Kg	11 Kg	11 Kg	11 Kg	8,5 Kg	9 Kg
Power supply	230 V						
Nominal frequency	50-60 Hz						
Nominal power	60 W	85 W	85 W	85 W	85 W	85 W	85 W
Power supply for external accessories	12 V DC 2,5W Max.	12 V DC 12W Max.	12 V DC 12W Max.	12 V DC 12W Max.	12 V DC 12W Max.	15 V DC 12W Max.	15 V DC 12W Max.
Ambient temperature	-0°C +50°C	-10°C +55°C	-10°C +55°C	-10°C +55°C	-10°C +55°C	-10°C +55°C	-10°C +55°C
Class of protection	IP 20	IP 40	IP 40	IP 40	IP 40	IP 40	IP 40
Max. door-leaf weight	80 Kg	350 Kg	350 Kg	350 Kg	350 Kg	260 Kg	260 Kg
Max. door-leaf width (mm)	1.200	1.400	1.400	1.400	1.400	1.400	1.400
Max. opening angle	100°	110°	110°	110°	110°	110°	110°
Closing force EN 1154	-	-	EN4 - EN6	EN4 - EN6	EN4 - EN6	-	EN3 - EN6
Increase mechanical latching action	-	-	•	•	-	-	-
Increase electric latching action	•	•	•	•	•	•	•
Electric closing sequence control	•	•	•	•	•	•	•
Opening delay	Adjustable according to the type of lock used						
Additional logics	Automatic, Stop open, Stop close, One way, Manual, OFF						
Low Energy	•	•	•	•	•	•	•
Push & Go	Adjustable*			Adjustable			
Anti-wind	Adjustable*			Adjustable			
Sensors CAN-BUS	-	-	-	-	-	•	•
Settings	Adjustable*		Directly on the electronic board or with Sesamo programmer				
Certification	-	EN16005	EN16005	EN1634-1	EN16005	EN16005	EN16005
Usable with fire doors	-	-	-	•	-	-	-

* only with software Millenniumware



Strada Gabannone, 8/10 • 15030 Terruggia (AL) ITALY
 Phone: +39 0142 403 223 • Fax: +39 0142 403 256
 info@sesamo.eu • www.sesamo.eu



Management System
 ISO 9001:2015



www.tuv.com
 ID 9105038848

MADE IN ITALY

